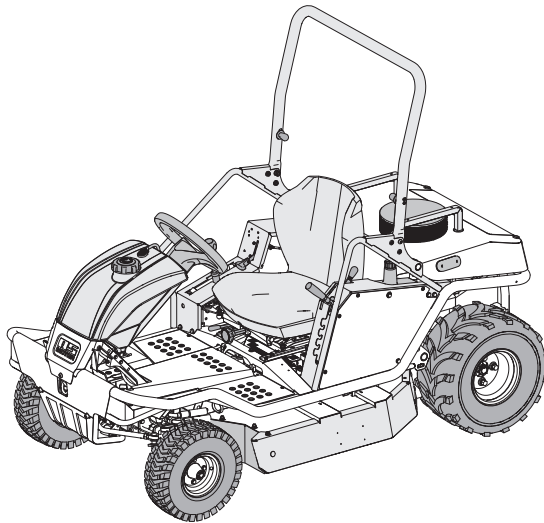




Operator's Manual



Ride-on Allmäher®

AS 915 Sherpa 2WD, AS 920 Sherpa 2WD,
AS 940 Sherpa 4WD, AS 940 Sherpa 4WD XL

From serial number: AS 915 Sherpa 2WD Loncin: 039023030001,
AS 920 Sherpa 2WD B&S: 039123030001,
AS 920 Sherpa 2WD Loncin: 040023030001,
AS 940 Sherpa 4WD B&S: 039223030001,
AS 940 Sherpa 4WD Loncin: 039823030001,
AS 940 Sherpa 4WD XL B&S: 039323030001,
AS 940 Sherpa 4WD XL Loncin: 039923030001

Issued: 13 May 2025, V3.0

en-Translation of the Original Operator's Manual

Notes on the operating manual

Dear customer,

Congratulations on your purchase. You have acquired a reliable quality product of the „AS-Motor“ brand.

This product has been manufactured according to modern manufacturing methods and comprehensive quality assurance measures. Only when you are satisfied with your device have we attained our goal.

These operating instructions contain important information to help you avoid hazards and to increase the reliability and the life span of the device.



Read the operating instructions before using the device. Share these operating instructions and the operating instructions of the engine with other users of the device.

Contact

If you have questions about your device, please contact your customer service.

For international partners, please see: www.as-motor.com.

Device data

Please fill in all data referring to your device. When ordering spare parts, provide your dealer with the serial and engine numbers.

Serial number (see manufacturer's certificate or type plate):

Engine number:

Date of purchase:

Address of dealer:

Intended use

The device is intended for cutting and mulching grass or similar vegetation in agriculture, and forestry. Woody growth must not be older than maximally one year.

Only use accessories, attachments and cutting tools authorised by the manufacturer.

Any other use exceeding this purpose is inadmissible.

Observe the instructions in chapter "Maintenance". Otherwise, operational safety is endangered.

The user of the device is responsible for accidents or damage that can happen to other persons or their property!

The device shall in particular **not** be used:

- to cut hard objects, stones, rubble, or pieces of wood.
- to trim bushes, hedges, and shrubbery.
- to cut plants in balcony boxes or containers or on roofs.
- to clean (vacuum) footpaths.
- as shredder for shredding tree and hedge cuttings.
- as drive unit for work tools and any type of tool sets that are not authorised by the manufacturer.

Contents

Notes on the operating manual	2	Starting	20
Contact	2	Safety switches.....	20
Device data	2	Starting the engine.....	20
Intended use	2	Engaging the blade.....	20
Explanation of the symbols	5	Oil pressure switch.....	21
Symbols in the instructions.....	5	Driving	21
Warnings.....	5	Braking (devices without brake pedal)....	21
Signs on the device.....	5	Braking (devices with brake pedal).....	22
Type overview	7	Driving.....	22
Safety instructions	8	Differential lock.....	22
Get informed!.....	8	Transport	22
User restrictions and hours of operation..	8	Transport on pallets.....	22
Safe handling of fuel.....	8	Transport of ready-to-use device.....	23
Check the device prior to use.....	9	Moving the device without drive	24
Danger area.....	9	Pushing or towing the device.....	24
Use caution during operation.....	10	Switching off and parking	24
Prior to mowing.....	11	Maintenance	25
Use caution when mowing.....	11	Maintenance and cleaning position.....	25
Caution when mowing slopes.....	12	Maintenance overview.....	26
Increased risk of tipping with additional	13	Cleaning the device.....	28
load.....	13	General inspection.....	28
Caution when using accessories.....	13	Checking the safety functions.....	28
When work is completed.....	13	Checking the parking brake.....	28
Use caution during maintenance and	13	Check the brake pedal (if existing).....	28
repair.....	13	Checking the blade.....	29
Device description	14	Checking the blade brake clutch.....	30
Control elements	15	Maintaining the engine.....	30
Front area.....	15	Opening the engine cover.....	31
Control lever at seat.....	15	Opening and closing engine	
Moving the device without drive.....	17	compartment partition.....	31
Bar (if existing).....	17	Checking the engine oil level.....	32
Information on mowing	18	Checking the spark plugs.....	32
Prior to starting	18	Maintaining the air filter.....	32
Checking the oil level.....	18	Checking and charging the battery.....	33
Fuel.....	18	Hydrostat transmission.....	34
Tanking up.....	18	Assembly	34
Adjusting the seating position.....	19	Scope of delivery.....	34
Adjust seat springing (if existing).....	19	Unpacking.....	34
Flip up bar (if existing).....	19	Mounting the steering wheel.....	34
Transport rack (if existing).....	19	Storage	35
		Storing the device.....	35
		Longer storage.....	35
		Restarting.....	35

Spare parts	35
Wear parts	35
Tyres	36
Disposal and recycling.....	36
Warranty	36
Troubleshooting.....	37
Technical data	
AS 915 Sherpa 2WD Loncin.....	40
Technical data	
AS 920 Sherpa 2WD B&S,	
AS 920 Sherpa 2WD Loncin.....	42
Technical data	
AS 940 Sherpa 4WD B&S,	
AS 940 Sherpa 4WD Loncin.....	44
Technical data	
AS 940 Sherpa 4WD XL B&S,	
AS 940 Sherpa 4WD XL Loncin	46
Accessories.....	48
EC Declaration of Conformity.....	49

Explanation of the symbols

Symbols in the instructions

In these operating instructions, the following symbols are used to denote special dangers.



Warning.
These symbols denote special dangers.



Prohibition sign.
These symbols denote inadmissible procedures.



Directive sign.
These symbols denote required protective measures.

Symbols in the text

1. A numbered text requests you to act or shows a process sequence.
 - ⇒ An indented arrow marks the result of a step.
 - ⇒ An arrow that is not indented refers to the result of a sequence of actions.

Notice: An additional piece of information is marked by the word "Notice" written in bold letters.

Warnings

In these operating instructions, warning instructions are marked with signal words. The signal words are used to indicate the following hazards and potential consequences.

Danger

Imminent danger

Indicates an imminently hazardous situation with a **high level of** risk that, if not avoided, **will** result in minor or moderate injury.

Warning

Hazardous situation

Indicates a possibly hazardous situation with a **medium level of** risk that, if not avoided, **could** result in minor or moderate injury.

Caution

Hazardous situation

Indicates a possibly hazardous situation with a **low level of** risk that, if not avoided, **could** result in minor or moderate injury.

Notice

Danger of property damage

Indicates a possible risk of damage of the device and its surroundings.

Signs on the device

The following signs are attached to the device to provide a reminder that during use of the device, you will have to be careful and attentive:



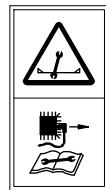
These operating instructions contain important information to help you avoid hazards and to increase the reliability and the life span of the device.
Read the operator's manual before using the device.



Risk of injury!
Make sure that no one is within the danger zone of the device.
Objects may be ejected.



The quickly rotating blade can cause life threatening injuries or immense property damage! Be especially careful to keep your hands and feet away from the blade when the device is put into operation.



Prior to any repair and maintenance work, pull off the spark plug connector.



Risk of tipping!

On the slope, the device is stable up to

18°: AS 915 Sherpa 2WD Loncin

18°: AS 920 Sherpa 2WD B&S

18°: AS 920 Sherpa 2WD Loncin

20°: AS 940 Sherpa 4WD B&S

20°: AS 940 Sherpa 4WD Loncin

21°: AS 940 Sherpa 4WD XL B&S

21°: AS 940 Sherpa 4WD XL Loncin

(in accordance with the standard measuring method)



Prior to any repair and maintenance work, remove the ignition key.



Clean the ventilation grid!

The cooling air of the motor is sucked in through the ventilation grid of the engine cover. Always keep the entire surface open and free!



Noise is causing health problems. Use personal ear protection to avoid hearing damage.



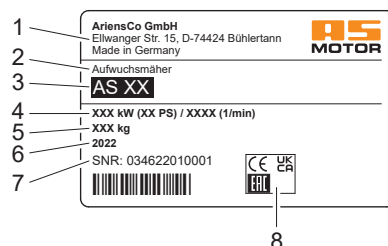
Hot surface. Do not touch the engine or the silencer. They become very hot during operation and you can get burned.



Do not clean the device with water spray or high-pressure cleaner!

Type plate

The type plate on the device provides you with information on the device type and the technical data.



- 1 Name and address of the manufacturer
- 2 Device designation
- 3 Type designation
- 4 Rates power output in kW / engine speed
- 5 Weight
- 6 Year of manufacture
- 7 Serial number
- 8 Conformity marking

Type overview

In this operating manual, the following device types are described. Depending on the equipment of your device, the corresponding descriptions of this operating manual apply.

The illustrations in this operating manual may show different device types.

Equipment	AS 915 Sherpa 2WD Loncin	AS 920 Sherpa 2WD B&S	AS 920 Sherpa 2WD Loncin	AS 940 Sherpa 4WD B&S	AS 940 Sherpa 4WD Loncin	AS 940 Sherpa 4WD XL B&S	AS 940 Sherpa 4WD XL Loncin
Brake pedal	-	X	X	X	X	X	X
Folding bar	-	X	X	X	X	X	X
All wheel drive	-	-	-	X	X	X	X
Seat springing (adjustable)	-	X	X	X	X	X	X
Tyre sealant "Plattfuss-Stop"	-	-	-	X	X	X	X
Tilting safety	18°	18°	18°	20°	20°	21°	21°

Safety instructions

Get informed!

For your safety, read these operating instructions carefully. Familiarize yourself with the control elements and the proper use of the device. Failure to observe the safety information and instructions can result in serious injuries or fatal accidents. Share these operating instructions with other users of the device.

Before starting to work: Have skilled personnel show you the safe handling of the device.

Get familiar with the device in a wide, open and flat terrain first.

User restrictions and hours of operation

Never allow children or persons who are not familiar with the operator's manual to use the device. Persons under 18 years of age may operate the device only under proper supervision. Local regulations determine the minimum age of the operator and the operating times.

Unsuitable for operation of the device are persons who

- are under the influence of alcohol, drugs or reaction delaying medications.
- have physical and mental/emotional impairments.
- are tired or sick.



People fitted with pace makers are not allowed to touch any current carrying parts of the ignition system.

Safe handling of fuel

Fuel is toxic and highly flammable. There is a burn and explosion hazard!

Keep fuel away from ignition sources and do not smoke during handling.

Do not inhale fuel vapours, they are dangerous to your health.

Use gloves and avoid skin contact with the fuel.

Always refuel outdoors when the engine is cold and stopped completely. When doing so, always use a filler spout or a funnel.

Do not spill any fuel or do not let fuel enter canalisation or drain away.

When fuel has overflowed, do not start the device until the fuel vapours have evaporated (wipe dry). Move the device away from the spilled fuel.

Always close the tank cap tightly and do not open it while the engine is running or the device is still hot.

Empty the fuel only when outdoors. Use the approved container for this or run the fuel tank empty.

Store the fuel away from children and keep it in a suitable container in a dark, cool and dry place.

Never store the device when there is fuel in the tank inside a building where fuel vapours might come into contact with open fire or sparks.

Immediately replace the fuel tank or tank cap if they are damaged (authorised service centre).

First aid

When swallowing fuel or inhaling fuel vapours, do not force vomiting and immediately consult a doctor.

In case of skin contact, immediately wash with water and soap. Change your soiled clothing as soon as you can.

Measures in case of a fire

In case of a fire, use foam, dry powder extinguisher, or carbon dioxide (CO₂). Never douse with water!

Check the device prior to use

To ensure safe operation and to avoid hazards, injuries and damage, check the device before each use.

Prior to each use, check the blade, protection skirt, impact protection, covers, ejection rubber, drive and fastening parts, cables and cable connections for proper working condition and firm seating by visual inspection.

Never use the device if covers, impact protection, ejection rubber or protection skirt are defective or not mounted.

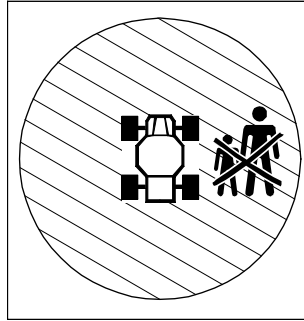
Do not remove, change or override any safety devices or control elements.

Have an authorised service centre check your device if the blade does not stop within 5 seconds.

Observe the maintenance instructions (see chapter "Maintenance").

Prior to use, check functions and safety functions of the device (see chapter "Maintenance") to ensure safe operation of the device.

Danger area



Within the danger area of the device, there is a risk of injury.

The size of the danger zone depends on the conditions of the mowing area.

Stones, rubbish or other objects on the mowing surface can be caught by the blade and thrown out, causing serious injuries. The area in front of and to the right of the device is especially dangerous. On uneven surfaces, the blade can touch the ground and pick up hidden objects.

There is a risk of injury from the rotating blade. Keep your hands and feet away from moving and rotating parts.

On slopes, there is a risk of injury in the danger area below the device. The device can tip or slide and trap or roll over people.

Never mow when persons, children, or pets are in the danger area.

Make sure

- that there are never people in the direction of travel of the device.
- that nobody is positioned on the slope below the device.
- that you have a complete overview of the danger area at all times.

Working near the road requires special care.

- Pay attention to traffic when working close to roads. Do not expose yourself to any risk from road traffic.
- Make sure that the road is outside the danger area and that you do not endanger any road users.

There is a risk of property damage in the danger area around the device. Make sure that no vehicles, buildings or other material goods are damaged in the danger area.

Use caution during operation

Danger of poisoning due to exhaust gases

Engine exhaust fumes contain carbon monoxide that can lead to serious health problems or death. Do not operate the engine in a closed room, even when all doors and windows are open and the room seems to be sufficiently ventilated.

Operate the engine only after you have moved the device to the outdoors.

Observe the information in the operator's manual of the engine manufacturer.

Risk of injury due to engine start

Do not start the engine

- if fuel was spilled.
- if there are other persons nearby.

Risk of injury when the blade is running

Switch off the blade and wait until the blade stops

- when you drive on surfaces other than grass.
- when you do not mow.
- when you cannot overlook completely the area to be mowed.
- when the device must be manoeuvred out of a dangerous position.
- when the trafficability of the area to be mowed is too unsafe.

Risk of injury when the engine is running

Switch off the engine, wait for the blade and the engine to stop and remove the ignition key

- before you transport the device.
- before you step away from the device, even for just a short time.
- before you clean or check the device or before you carry out work on the device.
- before you unblock or unclog the discharge area.

Risk of injury due to uncontrolled rolling

Actuate the parking brake after each stop and before shutting off the engine. By doing so, you can prevent the device from rolling away in an uncontrolled way.

Risk of burns

Do not touch the muffler, the engine, and the gearbox. These parts become very hot during operation and you can get burned. If a jumpy movement occurs, the risk of additional injuries can result.

Prior to mowing

Personal protective measures



During mowing, always wear safety shoes with good grip and long trousers. Do not mow with open sandals or while shoeless.



Wear safety gloves to protect yourself against injuries and vibrations.



Noise is causing health problems. Use personal ear protection to avoid hearing damage. Wear safety glasses and headgear.

Ask your specialised dealer about suitable protective equipment.

Preparing the mowing area

Prior to mowing, carefully check the perimeter of the lawn. Remove rocks, pieces of wood, bones, wires, and other objects that could be picked up and thrown out by the device.

Remove live cables from the mowing area. These can be damaged during mowing and cause an electric shock or short circuit.

Use caution when mowing

Risk of injury

Make sure that help can be provided in case of an emergency.

Only mow during daylight or with adequate artificial lighting. Never mow in the event of uncertain weather conditions and risk of lightning.

Be especially carefully when mowing on soft ground, nearby landfills, ditches, dikes and water edges.

Do not transport any person on the device.

Be extremely cautious when moving and mowing in reverse.

Vibrations

When the device is used over a longer period of time, vibrations can cause disturbances in the blood supply of the hands. A generally accepted usage time cannot be determined.

- Use gloves.
- Take breaks on time.

Have an authorised service centre check the device

- when the blade has hit an object.
- if the device starts to vibrate unusually severely.

Fire hazard

Parts of the device can become extremely hot during operation and this may cause fire.

- Carry a sufficient amount of suitable extinguishing media.
- Observe the device and the mowed area even after operation to make sure that no fire breaks out.

To prevent a fire hazard, always keep the following components free of dirt, grass, hay, leaking oil, leaking fuel, grease, etc.:

- engine, ventilation grid
- silencer (manifold, protection, spaces)
- battery, cable connections, electric drive units
- area around the fuel tank
- belt drives

Observe the information in the operator's manual of the engine manufacturer.

When fuel leaked or was spilled, there is an increased fire hazard.

- If the slope is too steep, fuel can leak from the carburetor or the tank. This presents a fire hazard!

Caution when mowing slopes

If the device, while in use, stops in steep terrain or the engine cuts out, the device can roll away.

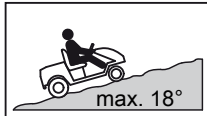
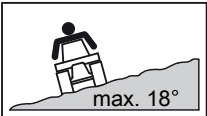
- Immediately actuate the parking brake to prevent the device from rolling away.
- Never unlock the drive on a slope because the device can roll away.
- Take suitable safety measures to prevent the device from rolling away unintentionally. Secure the device, e.g. with a cable winch or by blocking the wheels.

Observe the information regarding the oil pressure switch in chapter “Starting”.

Sliding and tipping risk



On the slope, there is a risk of injury due to tipping or sliding. The device can trap or roll over people. Material goods can be damaged. Never mow when persons, children, or pets are standing in the danger area downhill of the device.



- Do not mow excessively steep slopes. For safety reasons, use the device only on slopes with the following maximum gradients:
 - 18°: AS 915 Sherpa 2WD Loncin
 - 18°: AS 920 Sherpa 2WD B&S
 - 18°: AS 920 Sherpa 2WD Loncin
 - 20°: AS 940 Sherpa 4WD B&S
 - 20°: AS 940 Sherpa 4WD Loncin
 - 21°: AS 940 Sherpa 4WD XL B&S
 - 21°: AS 940 Sherpa 4WD XL Loncin
- Please observe the following information on the danger area.

- Use a clinometer if you are not familiar with the slope (see chapter “Accessories”).
- Prior to entering the slope, always activate the differential lock. Move on slopes only when the differential lock is activated.
- If possible, drive uphill and downhill, never drive crossways to the slope.
- Be extremely cautious when changing the direction.
- Always keep the speed low when moving on slopes.
- Do not start abruptly and do not brake abruptly.
- Hold the steering wheel tightly so that the device does not swerve.
- Drive with the bar flipped up and locked. If the device tips over, the bar (if existing) can prevent the device from overturning.

The risk of tipping is particularly high when turning on a slope.

- Avoid turning on a slope.
- Always drive slowly when turning.
- Look out for obstacles.

When the uphill wheels encounter obstacles such as roots, branches, rocks, mounds etc., the device can tilt or slip.

- Only drive when you know about the terrain conditions and terrain is free of obstacles.
- Pay attention to bumps, holes, and other visible hazards.
- Do not drive close to danger zones (e.g. walls, slopes, steep declines, water edges etc.).

Danger due to uncontrolled slipping

Only park the device on flat surfaces.

Proceed with extreme caution when the ground is wet or loose. The danger of slipping is very high on cut growth, no matter if it is wet or dry.

If the device slips, you cannot achieve control by pressing the brake pedal or activating the parking brake.

Uncontrolled sliding can occur because of:

- slope angles that are too steep.
- slippery ground.
- poor tire grip.
- speeding.
- abrupt braking.
- an inappropriate task for the device.

If the device tilts or slips

- Never try to stop a tilting or sliding device. Severe injuries can result.
- Remove leaking fluids (oil, fuel, battery acid) from the device and the floor. Deposit of contaminated soil environment friendly according to the local regulation.
- Undetectable damage may have occurred to the device. In case of malfunctions, there is a risk of injury. Have an authorised service centre check the device.

Increased risk of tipping with additional load

When the transport rack is loaded, there is an increased risk of tipping. Please observe the information on the transport rack.

Keep in mind that all attachments or additional loads increase the risk of tilting.

Caution when using accessories

Only use accessories approved by the manufacturer.

Observe in particular the safety instructions in the operating instructions for the respective accessories.

Towing device and trailer

- Note the maximum trailing load and drawbar load (see chapter “Technical data”).
- Only transport loads that you can control reliably.
- Only drive on slopes up to max. 10°.
- Do not take tight corners.
- Be cautious when moving in reverse.

When work is completed

After mowing, always close the fuel valve.

Prior to leaving the device, wait until the engine comes to a standstill and pull off the ignition key.

After switching it off, let the device cool down for at least 20 minutes before you store it in a dry, closed, sufficiently ventilated room.

Never place the device with fuel in the tank inside a building where petrol vapours may come into contact with open flames or sparks.

Use caution during maintenance and repair

Only carry out work as described in these operating instructions. Have an authorised service centre perform all other work.

Only use blades and spare parts approved by the manufacturer. Unauthorised blades and spare parts can cause severe injuries.

Prior to all maintenance work, wait until the engine comes to a standstill and pull off the spark plug connector.

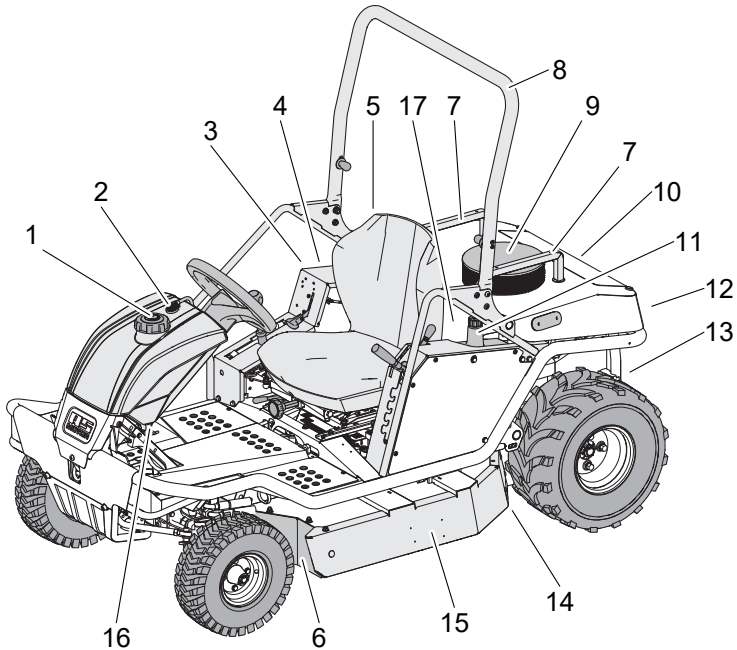
We explicitly point out that, in accordance with the Product Liability Act, we are not liable for damages that were caused by our devices if

- worn or damaged parts were not repaired or replaced on time.
- these damages were caused by improper repair.
- when changing a part, our original parts or parts authorised by us were not used.
- the repair work was not carried out by an authorised service centre.

The same applies for spare parts and accessories.

Device description

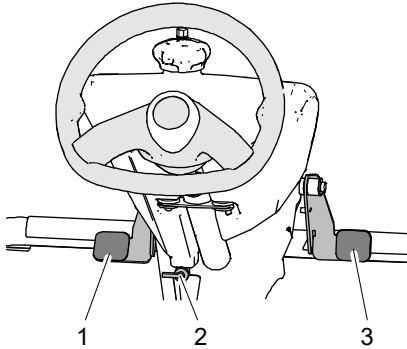
Abbildung zeigt AS 940 Sherpa 4WD B&S



- 1 Tank cap with fill level indicator
- 2 Tank ventilation
- 3 Fuse electric circuit
- 4 Type plate
- 5 Power socket
- 6 Protection skirt
- 7 Transport rack (if existing)
- 8 Bar (if existing)
- 9 Ventilation grid
- 10 Silencer grid
- 11 Oil surge tank
- 12 Gearbox fan
- 13 Unlocking drive
- 14 Ejection rubber
- 15 Side plates impact protection
- 16 Fuel valve
- 17 Engine compartment partition

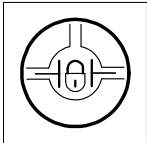
Control elements

Front area



Differential lock (1)

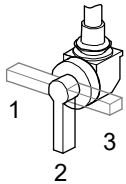
You activate the differential lock with the left foot pedal.



Pedal depressed:
Differential lock on.

Pedal not depressed:
Differential lock off.

Fuel valve (2)



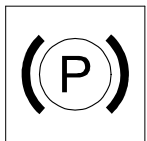
1: Reserve

2: Open

3: Closed

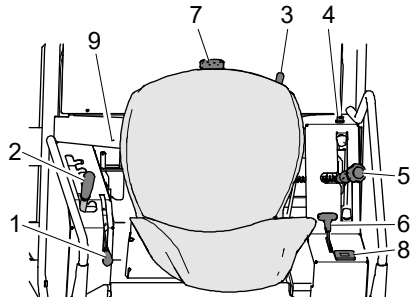
Brakepedal/parking brake (3 – if existing)

When you actuate the right foot pedal, the parking brake is applied. Press the foot pedal for activation of the brake only in exceptional situations because the mower stops abruptly.



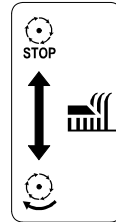
Brakes:
Release the drive lever and press the right foot pedal(3 – if existing) down.

Control lever at seat



Blade clutch lever (1)

The blade clutch lever is a guard device. When you disengage the blade, the blade comes to a stop within 5 seconds.



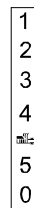
Disengaging blade:

Turn the accelerator lever to MIN. Move the blade clutch lever back.

Engaging blade:

Press the lever slowly forward.

Cutting height adjustment (2)



The cutting height of the lawn can be set to 5 positions.

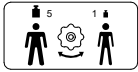
The top position is the transport position.

Sitting position

Press the lever (3) to the right, move the seat to the desired position, and engage it.

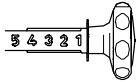
Seat springing (7 – if existing)

The seat suspension can be adjusted continuously from 1-5 to the driver's weight. Read the setting from the scale (9) on the seat.



Heavy driver:

Turn clockwise. The indicator moves towards 5. The seat suspension becomes stiffer.

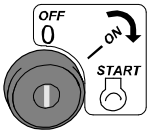


Light driver:

Turn anti-clockwise. The indicator moves towards 1. The seat suspension becomes softer.

Ignition lock (4)

The ignition lock has three positions.



OFF: Ignition off.

The key can be removed.

ON: Ignition on.

START: Electric starter on.

Drive lever with parking brake (5)

The drive lever is required for moving the mower forward, reversing as well as stopping the mower. The further you move the lever in one or the other direction, the faster the device moves.

In the neutral position, the parking brake is active.



Moving forward

Stopping (neutral position/parking brake)

Reversing

Accelerator lever with choke (6)

With the accelerator lever, you can change the engine speed and thus control the engine output. When you start the device when the engine is cold, move the accelerator lever to choke position (choke is closed).



Choke: Choke closed (only for engine start when engine is cold). Press the accelerator lever all the way down.

MAX: Full throttle position.

MIN: Idling speed. Pull the accelerator lever all the way up.

Operating hours counter (8)

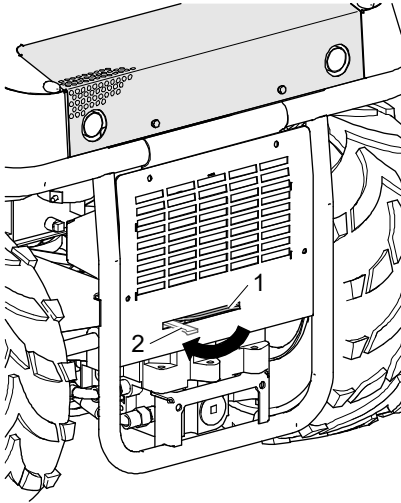
The operating hours are counted as soon as the engine is running.

Display:

- When engine is running: engine speed
- When engine is off: operating hours

Moving the device without drive

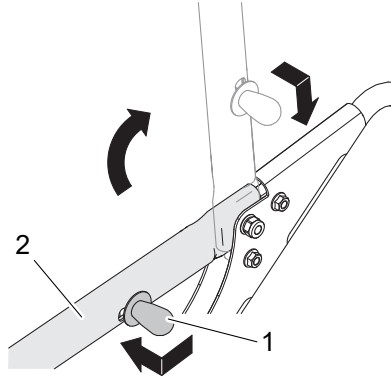
To move the device without engine drive, unlock the drive at the rear of the device and release the parking brake. To stop move the drive lever slowly to neutral position or step on the brake pedal.



1: = Locked

2: = Unlocked

Bar (if existing)



Putting up the folding bar

1. To unlock the bracket, pull the lever (1) backwards.
2. Push the lever (1) outwards and engage it.
3. Unlock the lever on the opposite side in the same way.
4. Put up the folding bar (2).
5. To lock the bracket, pull the lever (1) inwards and push it down completely.
6. Unlock the lever on the opposite side in the same way.

Putting down the folding bar

1. To unlock the bracket, pull up the lever (1).
2. Push the lever (1) outwards and engage it.
3. Unlock the lever on the opposite side in the same way.
4. Put down the folding bar (2).
5. To lock the bracket, pull the lever (1) inwards and push the lever fully forwards.
6. Unlock the lever on the opposite side in the same way.

Information on mowing

Prior to mowing, check your device for completeness, proper functioning, and cleanliness. A dirty ventilation grid causes overheating of the engine, this can damage the engine. A dirty protective grid on the silencer poses a fire hazard.

Frequent engagement and disengagement of the clutch increases wear of the blade drive belt and the blade brake. Especially in case of high grass, clutch engagement leads to overload.

To keep the area well maintained, mow frequently and keep the grass short.

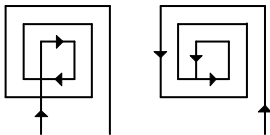
Only mow with a sharp and undamaged blade. Have the blade sharpened and balanced regularly (by authorised service centre).

Do not mow when the grass is wet or when it is raining. The turf may be damaged and there is a danger of slipping!

Turn the device around only in already mown sections. Do not leave the device unattended while the engine is running.

Always set the blade to transport position when you are not mowing.

For mowing, always turn the accelerator lever to full throttle to achieve the best mowing performance.



To avoid blockage during the ejection of grass, we recommend, for flat terrain, to proceed according to the mowing patterns. Mulch is shredded into much smaller pieces when you mow the terrain once again in the opposite direction.

On our homepage www.as-motor.com you will find further information, especially on the ecologically oriented maintenance of green spaces.

Prior to starting

Checking the oil level

Notice

Incorrect oil level can damage the engine.

- ▶ Prior to each use, check the engine oil level and the oil level in the hydrostat (see chapter “Maintenance”).

Observe the information in the operator’s manual of the engine manufacturer.

Fuel

For fuel, use lead-free gas (see operating instructions of the engine manufacturer).

You can use E10 fuel. Do not store E10 fuel longer than 30 days.

Do not use E85 fuel. The fuel must contain less than 10 % ethanol.

Tanking up

Warning

Fuel is ignited by hot engine parts.

- ▶ Prior to filling up, switch off the engine and wait for at least 20 minutes until the engine has cooled down. Observe the safety instructions regarding the fuel!

Filling up with fuel

1. For filling, use a canister with filler spout or a funnel.
2. Open the canister carefully so that existing excess pressure is slowly reduced.
3. Open the tank cap carefully so that existing excess pressure is slowly reduced and no fuel sprays out.
4. Fill the fuel tank.
5. Tightly close the tank cap again.

Adjusting the seating position

Adjust the seat in the longitudinal direction until your feet are positioned on the inclined support plates and you sit comfortably.

Adjust seat springing (if existing)

The seat suspension should be adjusted to the driver's weight and the terrain features. You will sit most comfortably when the spring travel is fully made use of.

The seat suspension should be set as soft as possible to keep it from going coil-bound during normal operation. You can read the current setting from the scale on the seat.

If the seat goes coil-bound during normal operation, turn the handwheel clockwise. The indicator moves towards 5. The seat suspension becomes stiffer.

If the seat suspension is stiff during normal operation and thus uncomfortable, turn the handwheel anticlockwise. The indicator moves towards 1. The seat suspension becomes softer.

Guide values for driver's weight for flat terrain:

kg	Scale
50	≥ 2
90	≥ 3
130	≥ 4

Flip up bar (if existing)

For safety reasons, always use the device with the bar folded up and locked. If the device tips over, the bar can prevent the device from overturning. Serious damage to the device can be thus avoided.

The device may only be used with the bar folded down on level ground.

Transport rack (if existing)

Warning

During the loading process, there is an increased risk of tilting.

- ▶ Do not drive up or down steep slopes when the transport rack is loaded. Observe the permissible loading limits.

The device has a transport rack above the engine cover.

Caution! Only load the transport rack so that the ventilation grid that is located below it is not covered. Otherwise there is a danger that the engine overheats and is damaged.

Loading limits

Maximum load:	5 kg
Maximum height:	23 cm
Maximum width:	60 cm
Maximum length:	42 cm

Starting

Danger

Danger of poisoning due to poisonous exhaust gases.

- ▶ Do not operate the engine in closed or insufficiently ventilated rooms.
- ▶ Please observe the safety instructions regarding the poisoning risk.

Danger

Danger of electric shock from live cables on the mowing area. Live cables can be damaged during mowing and cause an electric shock or short circuit.

- ▶ Make sure that the mowing area is free of live cables.

Warning

During startup, there is a risk of injury due to rotating blades.

- ▶ Make sure that nobody is in the danger area of the blade.

Safety switches

The device is equipped with safety switches. To be able to start the engine, the following conditions must be met:

- There is a driver in the driver's seat.
- The blade clutch is switched off.
- The drive lever is in neutral position.

If the engine is running and the driver leaves the seat, the engine is shut down.

If the engine died due to tripping of a safety switch, turn the ignition key to position "Ignition off". That way you avoid that the battery is depleted.

Starting the engine

Start the device only when on level and firm terrain.

1. Open the fuel valve.
2. Sit down in the driver's seat.
3. Switch off the blade clutch.
4. Move the lever for the cutting height adjustment to transport position.
5. Move the drive lever to neutral position.
6. **When the engine and outside temperatures are cold:**
Move the accelerator lever to the cold start position (choke).
When the engine is warm:
Move the accelerator lever to middle position.
7. Turn the ignition key to starting position.
8. Once the engine has started, release the ignition key.
9. **Only after cold start:**
Move the accelerator lever to middle position.
10. For mowing, set the accelerator lever to the maximum speed.

If the engine has not started after 5 seconds, release the key. Wait for approx. 15 seconds before you try to restart the device.

Engaging the blade

Warning

Risk of injury due to rotating blade.

- ▶ Make sure that no persons, children, animals or objects are in the danger area.

Warning

Risk of injury caused by ejected objects.

- ▶ Never mow when persons, children, animals or objects are in the danger area.

Only engage the blade when it can rotate freely and does not touch objects or the ground.

Do not engage the blade in uncut grass because when overloaded, the blade can be damaged or wear prematurely.

1. Start the engine.
2. Move the lever for the cutting height adjustment to the highest cutting position.
3. Press the blade brake clutch lever slowly forward – the blade starts up.
4. Set the desired cutting height.

If you set the cutting height during mowing to transport position, the blade is automatically disengaged.

Disengaging the blade

1. Move the blade brake clutch swiftly to the rear.

Oil pressure switch

Warning

If the device, while in use, stops in steep terrain or the engine cuts out, the device can roll away.

- ▶ Immediately actuate the parking brake to prevent the device from rolling away.

The oil pressure switch ensures that the engine is not damaged when the device is used in steep terrain.

The oil pressure switch switches off the engine when damage to the engine may occur due to lack of oil pressure. This may occur when:

- Oil level is too low.
- The device is in too steep a sloping position while in steep terrain

How steep the gradient for the oil pressure switch to switch off the engine may be depends on the engine type, direction of inclination, and the oil level.

In order to restart the engine, let the device roll to terrain that is less steep using the drive lever with parking brake. In every case, check the oil level.

Driving

Warning

Risk of injury when driving forwards and in reverse.

- ▶ Make sure that no people are in front of or behind your device and that your path is clear of obstacles.
- ▶ Make sure that no persons, children or animals ride along.

Warning

Device can move jerkily. If you are standing on the device, injuries can result.

- ▶ Do not stand up while the device is moving.
- ▶ Do not drive while standing up.

Warning

Mowing on the slope is dangerous. There is a tilting and slipping hazard.

- ▶ Observe the safety instructions regarding mowing on slopes.

In case of a hazardous situation, switch off the drive and declutch the blade.

Braking (devices without brake pedal)

To stop move the drive lever slowly to neutral position and then to the left to parking position.

Braking (devices with brake pedal)

Warning

The brake pedal does not take effect if you hold on to the drive lever during braking.

- ▶ Release the drive lever when you actuate the brake pedal.

To stop move the drive lever slowly to neutral position and then to the left to parking position or step on the brake pedal.

The parking brake acts on the rear wheels. When you actuate the brake pedal, the drive lever moves all the way to neutral position/ parking brake.

Press the brake pedal only in exceptional situations because the device stops abruptly.

Driving

1. Start the engine.
2. Press the drive lever to the right to release the parking brake.
3. Slowly move the drive lever to the front. The more you move the lever away from the neutral position, the faster the device moves.
4. To stop move the drive lever slowly to neutral position or step on the brake pedal.

Reversing

Always reverse slowly. Be especially cautious when the blade is engaged.

1. Press the drive lever to the right to release the parking brake.
2. Slowly move the drive lever to the rear. The more you move the lever away from the neutral position, the faster the device moves.
3. To stop move the drive lever slowly to neutral position or step on the brake pedal.

Differential lock

The differential lock connects the two rear wheels rigidly to each other. This improves traction. Actuate the differential lock when a wheel slips.

Always actuate the differential lock when moving downhill. This improves the driving stability of the device. The risk of sliding or swerving of the rear is reduced and safe braking is possible.

When curves are driven while the differential lock is actuated, the turning circle is increased. While the differential lock is actuated, only go slowly into a curve.

To avoid excessive wear,

- actuate the differential lock only when the device is stopped, if possible.
- always step on the pedal all the way.
- release the differential lock when it is no longer absolutely needed.

Transport

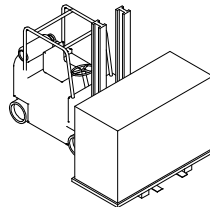
Transport the device on a freight vehicle or a trailer which is designed for a carrying capacity of at least as great as the empty weight of the device.

Transport on pallets

For transport over short distances, use a fork lift or a lift truck.

For longer distances, load the device with a fork lift onto a freight vehicle or trailer.

The user must be authorised to operate a fork lift. When the machine is lifted, all persons must step away from the working area of the fork lift.



Notice! Drive the fork lift completely under the longitudinal beams of the wooden pallets.

Transport of ready-to-use device

Warning

Risk of injury due to the heavy weight of the device. The device can fall over and fall down and cause severe injuries.

► Observe the following notices.

Do not stay in the tilting area of the device.

Prior to each transport, let the device cool down for at least 20 minutes. Close the fuel valve.

Loading

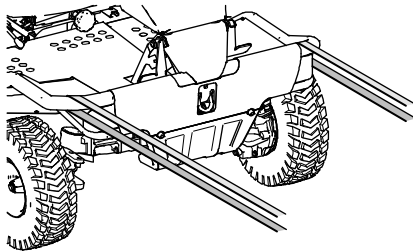
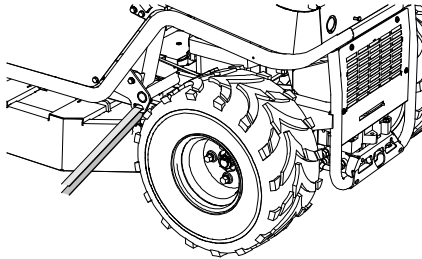
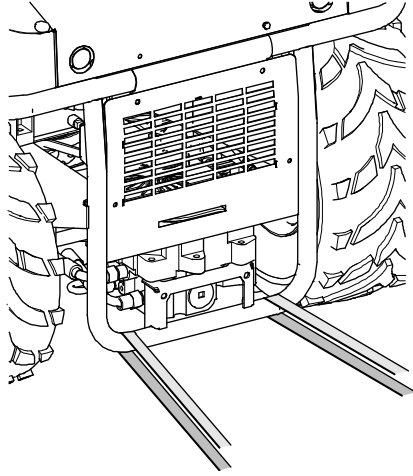
Use suitable ramps for loading that

- can carry the empty weight of the device + 200 kg.
- are wider than the device.
- have a slip-free surface.

Notice

Risk of damage due to incorrect fastening of straps.

- Fasten the straps only to the lashing points as shown in the figure.
 - Do not overtighten the straps. The lashing points or the device can be damaged.
 - The lashing points are not suitable for lifting the device.
1. Put the device in front of the ramps and make sure that the ramps
 - are as wide as the wheel gauge of the device.
 - are tightly secured to the platform.
 - are not steeper than 15°.
 2. Carefully drive the device via the ramps onto the platform.
 3. Observe the instructions in chapter “Switching off and parking”.
 4. Secure the device against rolling, sliding and tilting. Use straps that support the weight of the device.
 5. Lash the device to lashing eyes and frame parts with straps that can hold the weight.



Unloading the device

1. Secure the device against rolling away before loosening the transport fastenings.
2. Slacken the transport attachments.
3. Carefully drive the device over the ramps off the loading area.

Observe the information in chapter “Loading”.

Moving the device without drive

Warning

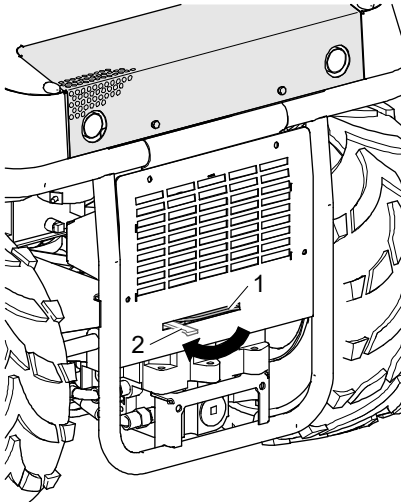
The device can roll away when the drive is unlocked.

- ▶ Never unlock the drive in steep terrain without securing the device against rolling away.
- ▶ Please observe the following notices.

To move the device without engine drive, unlock the drive at the rear of the device and release the parking brake. To stop move the drive lever slowly to neutral position or step on the brake pedal.

Pushing or towing the device

1. Secure the device against unintentional rolling away, e.g. with a cable winch or by blocking the wheels.
2. Move the drive lever to neutral position/parking brake.



3. Unlock the drive.
 - ⇒ 1: = Locked
 - ⇒ 2: = Unlocked

4. Only remove or release the safety catch to prevent unintentional rolling away if the device comes to a safe stop with the parking brake activated.
5. Carefully move the device onto a level surface, e.g. by pushing or towing it, using the drive lever and the parking brake.
6. To stop the device, move the drive lever slowly to neutral position or step on the brake pedal.
7. For towing, use a suitable towing device (e.g. cable winch) that can hold the weight of the device.
8. After pushing or towing, lock the drive again.

Notice

When the engine is started while the drive is unlocked, the hydraulic drive can be destroyed.

- ▶ Never start the engine when the drive is unlocked.

Switching off and parking

Danger

Danger of poisoning due to poisonous exhaust gases.

- ▶ Do not operate the engine in closed or insufficiently ventilated rooms.
- ▶ Please observe the safety instructions regarding the poisoning risk.

Warning

Fire hazard

Parts of the device can become extremely hot during operation and this may cause fire.

- ▶ Please observe the safety instruction regarding the fire risk.

Warning

Risk of injury in case of unauthorised use.

- ▶ Always remove the ignition key when you do not use the device.

1. Move the drive lever slowly to neutral position/parking brake.
2. Turn the accelerator lever to idle speed.
3. Switch off the blade clutch.
4. Move the lever for the cutting height adjustment to transport position.
5. Turn the ignition key to "ignition off".
6. Wait for the engine to stop completely before you step away from the device.
7. Pull off the ignition key.
8. Close the fuel valve.

Maintenance

Danger

Danger of poisoning due to poisonous exhaust gases.

- ▶ Do not operate the engine in closed or insufficiently ventilated rooms.
- ▶ Please observe the safety instructions regarding the poisoning risk.

Warning

Burn hazard from hot surfaces.

- ▶ Switch off the engine.
- ▶ Let the device cool down for at least 20 minutes before you start any maintenance and cleaning work.

Warning

Risk of injury caused by unexpected movement. When tests are carried out, the device can move unexpectedly.

- ▶ Make sure that no persons, children, animals or objects are in the danger area.
- ▶ Make sure that no further hazards result from an unexpected movement.

Warning

Risk of injury during maintenance and cleaning work when the engine is running.

- ▶ Perform maintenance tasks only then with a running engine if this is required in the Maintenance table.

Prior to all maintenance and cleaning work when the engine is not running:

1. Let the device cool down for at least 20 minutes.
2. Close the fuel valve.
3. Disconnect the negative pole of the battery.

Improper maintenance can make the device unsafe for operation and result in accidents. Regular maintenance keeps your device ready for use.

Service the device according to the following maintenance instructions.

Contact an authorised service centre if problems during maintenance occur or if you determine deficiencies during one of the following inspections.

Maintenance and cleaning position

Warning

Risk of injury due to the heavy weight of the device. The device can fall over and fall down and cause severe injuries.

- ▶ Observe the following notices.

To perform maintenance, repair or cleaning tasks at the bottom of the device, you can lift or tilt the device.

- Lift the device only when on level and firm terrain.
- Use only lifting gear or ramps that are suitable for the weight of the device.
- Attach the lifting gear only to the main frame because only the main frame can carry the weight.
- Secure the device always against tilting, falling down or slipping.
- Do not stay in the tilting area of the device.
- Do not tilt the device more than indicated in the safety instructions regarding driving on the slope. Otherwise the device can tilt and the device can be damaged or contaminations can occur due to leaking fluid.
- Do not carry out tasks that can result in tilting, falling down or slipping of the device.

Maintenance overview

For maintenance and cleaning work, always wear safety gloves and safety glasses.

Component	Action	Maintenance interval	
		A	B
Device	Check for safe working condition (basic inspection).	■	▲
	Clean.	■	
	Customer service.		▲
Fuel	Check fuel level.	■	
	Is the tank cap closed?	■	
Tank, fuel valve, and fuel line	Check parts for leaks and check for good condition.	■	▲
Ventilation grid	Clean.	■	▲
Engine cooling	Clean.		▲
Spark plug	Check/replace.		▲
Air filter	Maintain.	■	■▲
Blade and fastening components	Check for wear and damage (see chapter "Checking the blade").	■	▲
	Change.		▲
	Clean the screw-on point of the knife blade.	■	
Blade brake clutch	Does the blade function safely and does the blade stop in 5 seconds?	□	▲
Release the drive lever	Does the device stop when the lever is in neutral position (parking brake)?	□	▲
Parking brake	Check parking brake.	■	▲
Brake pedal	Check the brake pedal (if existing).	■	▲
V-belt	Are the belts tensioned correctly, without fissures, and in good condition?		▲
Bowden cables	Check for proper function and ease of movement.	■	▲
Acceleration lever	Check for proper function.	□	▲
Chassis and impact protection	Check for rust and fissures and check the welding seams.	■	▲
	Are all protective devices and covers in place, fastened correctly and properly functioning?	■	▲
Label	Check the condition of the labels and replace if necessary.	■	▲
Engine	Binding information (see operating instructions of the engine manufacturer).	■	▲

	Check the oil level (see operating instructions of the engine manufacturer).	■	▲
	Oil change (see operating instructions of the engine manufacturer).		▲
	Oil filter change (see operating instructions of the engine manufacturer).		▲
Flammable material	Remove easily flammable debris buildup from the engine and the device.	■	▲
Steering	Check the clearance.	■	▲
Tyres	Check tyres and, if necessary, the tyre pressure.	■	▲
Safety switches	Check the switches at the driver seat, cutting height adjustment, and drive for proper function.	■	▲
Ignition lock	Check for proper function.	□	▲
Hydrostatic transmission	Check oil level.	■	▲
	Repair leaks.		▲
	Oil change after 50 h and every 200 h thereafter.		▲
Battery	Check the charging conditions.		▲

A Before and after each use.

B Annually or every 50 h.

■ By the user when the engine is not running.

□ By the user when the engine is running.

▲ By the authorised service centre.

Cleaning the device

After each use, you should clean the device thoroughly, especially the bottom side and the blade.

Stuck grass or dirt affect the grass discharge and the cutting quality. For a sufficient engine cooling, keep the engine cover, ventilation grid, and the engine clean.

For sufficient cooling of the hydrostat transmission, keep the gearbox casing and the area around the gearbox fan clean.

Fire hazard! Pay special attention so that components on the silencer are clean.

For cleaning use a hand brush. Remove stubborn soiling with a wooden or plastic spatula. Clean the outer housing parts with a cloth.

Do not rinse off the device with a water jet or high pressure cleaner! Do not use aggressive cleaning agents.

General inspection

To make sure that the device can be operated safely, check all nuts, bolts, screws, connection of fuel lines, air filters etc. regularly for firm seating. Check the ignition wire and the spark plug connectors for damage.

Immediately replace damaged or worn parts, especially covers, protection skirt, muffler or fuel tank (authorised service centre).

Check all parts that contain fluids for leaks and proper condition. These can be: Fuel tank, fuel valve, fuel lines, carburetor, engine, gears, battery, hydraulic system.

In case of leaks, contact an authorised service centre.

Checking the safety functions

Check the safety switches for proper function. It must not be possible to start the engine when:

- The driver does not sit on driver's seat.
- The blade clutch is switched on.
- The drive lever is not in neutral position.

If the engine is running and the driver leaves the seat, the engine must shut down.

Check if the drive lever goes to neutral position (parking brake) when the driver leaves the seat (only AS 920/AS940).

If the cutting height adjustment lever is moved to the transport position, the blade must disengage. It must not be possible to engage the blade in the transport position.

Checking the parking brake

Warning

If the parking brake is not properly adjusted, the device can roll away.

- ▶ Make sure that the parking brake always functions correctly.

1. Place the device on a surface with a good grip (e.g. concrete or asphalt).
2. Switch off the engine.
3. Let the device cool down for at least 20 minutes.
4. Unlock the drive.
5. Activate the parking brake.
6. Try to push the device.

If the rear wheels lock up, the parking brake is set correctly. If the device can be pushed, the parking brake must be readjusted by an authorised service centre.

Check the brake pedal (if existing).

Check if the drive lever returns to neutral position (parking brake) when the brake pedal is actuated.

Checking the blade

Warning

Wear or damage on the blades and the fastening elements can result in the blades or the fastening elements coming off.

- ▶ Check the blades and all fastening elements according to the following instructions.

Warning

There is a considerable risk of injury due to improperly mounted and maintained blades.

- ▶ Work at blades must be carried out by an authorised service centre.



Use solid gloves when you check the blade.

Work on the blade requires specific expertise because an imbalance inspection is necessary and torques must be observed.

Blades that are sharpened improperly increase the workload of the device and can result in vibration cracks or breaks.

Check the blade and all fastening elements for wear, damage and cracks

- each time before and after you mow.
- in case of noticeable changes or unusual vibrations.

Contact an authorised service centre if you detect faults or damage during inspection.

All shown blade parts and their fastening elements must be changed

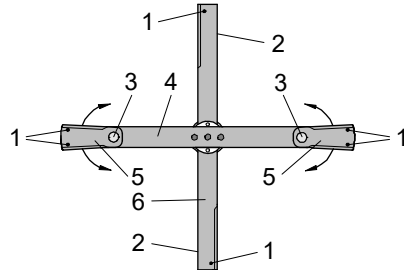
- if damage or cracks are detected.
- if unusually strong vibrations occur.
- at least once a year or every 50 operating hours, no matter if wear does exist or not.

The material weakens, can suffer cracks, endangering people and material assets. Ejected broken pieces can cause severe injuries.

Unusual vibrations are an indication that

- blades are missing or broken,
- the blade is worn excessively or on one side or
- damage to the engine or cutter deck fastening.

Changing the blade



Cutting blades (5)

The cutting blades should move easily. To ensure this, always keep the pivotal point (3) clean. Never mow when the cutting blades are stuck.

Caution! To prevent unbalance replace or reverse the cutting blades in pairs only!

The cutting blades are reversing blades. Reverse both cutting blades

- when one of the wear marks (1) was reached.
- when the second cutting edge of the cutting blade has not been used yet.

It is absolutely necessary to change the cutting blades and the fastening parts

- when one of the wear marks (1) of the second cutting edge was reached.
- when the thickness of the cutting blade at any point is below 1 mm (exception: cutting edge).

Mulching blade (6)

The mulching blade and the fastening parts must be changed

- when one of the wear marks (1) was reached.
- when the thickness of the blade at the rear edge (2) or at any other point is below 1 mm (exception: cutting edge).

Original blade

An original blade is engraved with:

AS XXXXXXXX

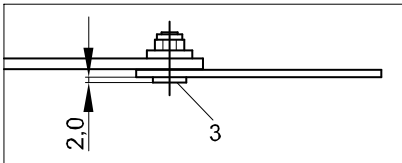
The engraving shows the spare part number.

Checking the condition of the cutting blade screws

Warning

When a screw head is worn, the cutting blades can become loose.

- ▶ Check all screws used for fastening the cutting blades!



The screw head (3) wears off during mowing and must be replaced at the latest when it is down to a thickness of 2 mm.

To prevent unbalance replace the cutting blade screws in pairs only!

Checking the blade brake clutch

Inspection by an authorised service centre.

Check the function of the blade coupling by disengaging the blade. The blade must stop from full speed in less than 5 seconds.

Maintaining the engine

Caution

If the speed is set too high, objects can be ejected. The engine can be damaged and a higher level of noise pollution is produced.

- ▶ Do not change the basic setting of the carburetor or the speed control.

The engine manufacturer has prepared the operating manual of the engine. The manual contains all maintenance requirements and warranty conditions for the engine. If warranty work on the engine is required, contact your authorised service centre or the next authorised dealer for engines.

To ensure a long service life of the engine, sufficient engine cooling is required.

Keep the

- engine cover (ventilation grid),
 - muffler (protective grid) and
 - cooling fins of the engine
- clean at all times.

Opening the engine cover

Warning

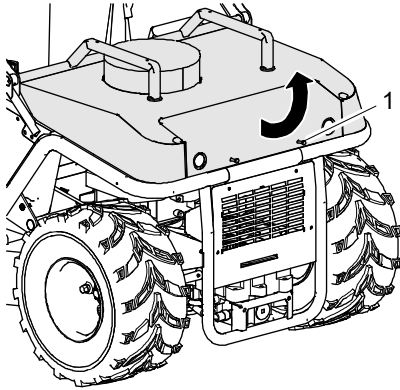
The engine cover can accidentally close.

- ▶ Make sure that the engine cover stays open while you carry out work on the engine. Close the engine cover immediately after you have completed maintenance work on the engine.

Warning

Burn hazard from hot surfaces.

- ▶ Let the device cool down for at least 20 minutes before you open the engine cover.



To carry out maintenance work on the engine, slacken the screws (1) and open up the engine cover.

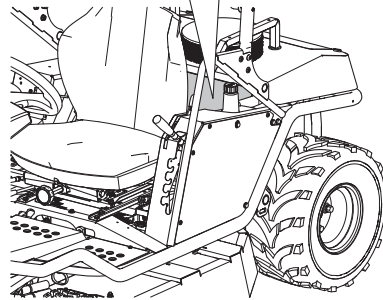
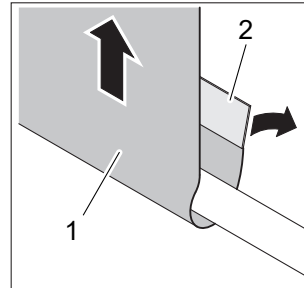
Opening and closing engine compartment partition

Warning

Burn hazard from hot surfaces.

- ▶ Let the device cool down for at least 20 minutes before you open the engine compartment partition.

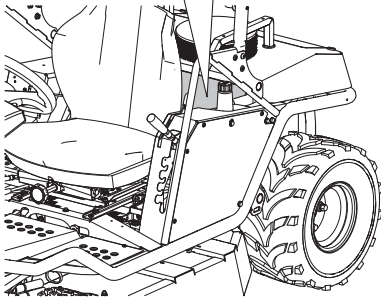
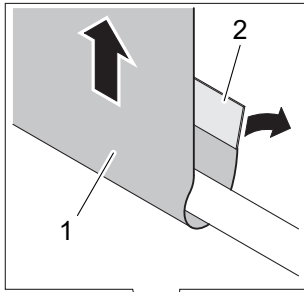
Opening engine compartment partition:



To facilitate maintenance work on the engine, the engine compartment partition can be opened.

Pull up the engine compartment partition (1). The magnetic lock (2) opens automatically.

Closing engine compartment partition:



Guide the engine compartment partition (1) under the lifting axle (3) of the cutting height adjustment and up again. The magnetic lock (2) closes automatically.

Checking the engine oil level

Notice

Incorrect oil level can damage the engine.

- ▶ Prior to each use, check the engine oil level.

The oil level may never be too low; otherwise, the engine can be damaged. When moving on slopes, the oil level should always be at the top level.

Never fill in too much oil. Otherwise, there is a risk that oil enter the air filter and destroys it.

Observe the information in the operator's manual of the engine manufacturer.

Checking the spark plugs

⚠ Danger

The ignition system generates an electromagnetic field.

- ▶ Wearers of pacemakers must not work on active parts.

Soiled spark plugs reduce the engine output. Clean the electrode of the spark plug with a brass wire brush. Check the electrode gap (see operating instructions of the engine manufacturer). Make sure that the insulator around the electrode is not damaged. Never use a damaged spark plug.

Tighten the spark plug using the correct torque (see operating instructions of the engine manufacturer).

Always check both spark plugs.

Maintaining the air filter

⚠ Warning

There is a fire and explosion risk due to cleaning agents.

- ▶ Never clean the air filter with flammable solvents.

Make sure that the air filter is always clean. A dirty air filter reduces the engine power and leads to increased engine wear and fuel consumption. Independent of the operating hours, change the filter insert at least once a year. Do not operate the engine without air filter.

Observe the information in the operator's manual of the engine manufacturer.

Checking and charging the battery

Warning

Batteries can be dangerous.

- ▶ Keep children away.
- ▶ Never perform any changes to the battery.
- ▶ The battery is sealed and may never be opened.
- ▶ For all work on the battery or the battery cables, wear safety glasses and gloves.
- ▶ If accidents with battery acid occur, always contact a doctor.

Warning

Explosion hazard

When the battery is charged, explosive gases are generated. An explosion of the battery can result in injuries and blindness.

- ▶ Keep open flames and ignition sources away and do not smoke.
- ▶ Charge the battery only in well ventilated rooms.

Warning

Danger of chemical burn

Batteries contain acids. Contact with battery acid can result in blindness or serious burns.

- ▶ Always keep the battery upright and do not spill any battery acid.
- ▶ Avoid contact with skin and eyes.
- ▶ If battery acid comes into contact with eyes, immediately rinse the eyes with water.

Warning

When you work on the battery, there is a risk of short circuit.

- ▶ Do not put any tools or metal objects onto the battery.
- ▶ When disconnecting and connecting the battery, observe the order of assembly steps.

If the starter does not get the engine going or only insufficiently, charge the battery.

The battery is maintenance-free.

Use electronically controlled charging systems. These charging systems detect the connected battery and charge it with the required charging current and terminate the charging process when the battery is full.

Charge the battery before you put the device away for winter storage. A fully charged battery lasts for approx. 4 months before it needs to be recharged.

Charging and replacing the battery

Important: Only use original batteries.

You can buy original batteries from the manufacturer or your authorised service centre. Also observe all information in the operator's manual of the battery (if existing).

Beware! Never confuse the plus and minus terminals.

1. Disconnect the black cable (-).
2. Disconnect the red cable (+).
3. Dismantle the battery from the device.
4. Charge the battery or replace it.
5. Mount the battery into the device.
6. Connect the red cable (+).
7. Connect the black cable (-).

Hydrostat transmission

Warning

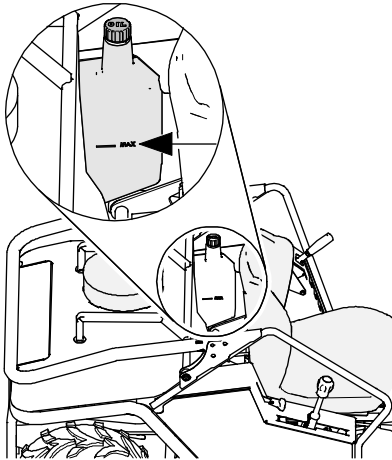
Risk of injury due to high pressure (up to 410 bar) in the hydraulic system.

- ▶ Check the hydraulic hoses for leaks, damage and chafe points.

Warning

When oil leaks there is a danger of environmental pollution.

- ▶ Check the hydraulic drive system for leaks before and after mowing.



In warmed up condition, the oil level must be at "MAX" marking. In cold condition, the oil level can be somewhat below, in hot condition the oil level can be somewhat above the "MAX" marking.

There always must be oil in the compensation tank so that no air can enter the hydraulic system.

Oil changes must be carried out by authorised service centre (see chapter "Maintenance overview").

Check if the gearbox fan is undamaged.

The hydrostatic drive generates a monotone working noise that gets louder as the load is increased (e.g. in steep terrain). If the working

noise changes, if it gets irregular or very loud, let the hydrostatic drive cool down and check the oil level.

If the change working noise still exists, have the device checked by an authorised service centre.

It is possible that the hydraulic system must be ventilated or the oil must be changed. For refilling, only use fully synthetic engine oil 5 W50.

Assembly

Scope of delivery

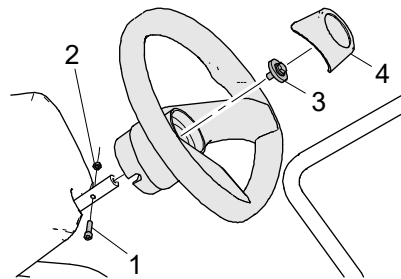
The device is shipped in a carton on a pallet. The scope of delivery includes:

- The device.
- This operating manual.
- Manufacturer's certificate.
- Tool bag with small parts.
- Steering wheel.
- Ignition key.
- See operating instructions of the engine manufacturer.

Unpacking

1. Remove the box.
2. Check the air pressure of the tyres (see chapter "Technical data").

Mounting the steering wheel



1. Insert the screw (1) through the steering wheel and the steering column.

2. Tighten the central fixing screw (3) (25 Nm).
3. Screw the nut (2) onto the screw (1) (12 Nm).
4. Plug on the cap (4).

Storage

Danger

Danger of poisoning due to poisonous exhaust gases.

- ▶ Do not operate the engine in closed or insufficiently ventilated rooms.
- ▶ Please observe the safety instructions regarding the poisoning risk.

Warning

Fire hazard

Parts of the device can become extremely hot during operation and this may cause fire.

- ▶ Please observe the safety instruction regarding the fire risk.

Warning

Risk of injury in case of unauthorised use.

- ▶ Always remove the ignition key when you do not use the device.

Storing the device

Store the device in a locked, dry and sufficiently ventilated room and out of reach of children. Always rectify faults of the device before storage so that the device is always in operationally safe condition. Let the engine cool down before you store the device in closed rooms.

Also observe the notices on storage in the attached operating instructions by the engine manufacturer.

Longer storage

1. Observe the safety instructions for handling the fuel.
2. Run the fuel tank empty.

3. Emptying carburetor: Close the fuel valve, start the engine and let it run until it stops by itself.
4. Thoroughly clean the device.
5. Touch up any possible damage to the paint finish (for paint, see chapter "Accessories").
6. Remove the ignition key and store it separately from the device.

Before longer storage, e.g. in the fall, have an authorised service centre check the device!

Also observe the information regarding storage in the operator's manual of the engine manufacturer.

Restarting

If you want to start the device after a longer storage, carry out the tasks described in chapter "Maintenance".

Spare parts

The reliable and safe operation of the device also depends on the quality of the spare parts used. Only use original spare parts and accessories approved by the manufacturer. When foreign parts are installed, the warranty and guarantee shall be void for the foreign parts, the device, and for any resulting damage.

Inform your authorised service centre about the device type and serial number of your device when you order spare parts.

Via www.as-motor.com you have direct access to our spare parts portal. Here you can quickly find the right spare part using the search function and print out the corresponding spare parts list. This makes it easier for you to place the subsequent order via your authorised specialist workshop, stating the device type and the serial number of your device.

Wear parts

Some parts are described as wear parts. They wear during use and must be replaced. The warranty does not cover the following parts (examples):

Blades, cutting edges, cutter bars, blade bolts, sliding plates, V-belts, chains, Bowden cables, starter ropes, pressure plates, air filters, spark plugs, disk springs, lock washers, fuses, disks, thrust plates, pressure disks, protection skirts, impact protection, wheels, tires, brushes, sliders etc.

Tyres

Warning

If wheels with different diameters are used or if standard wheels and accessories are mixed, damage of the all-wheel drive system can result. There is a risk of accident.

Only use tyres authorised by the manufacturer.

Only the following wheels may be used:

AS 915 Sherpa 2WD

- AS serial tyres (Standard wheel)
- AS accessories: G06921016 (Twin wheels rear AS Sherpa)

AS 920 Sherpa 2WD

- AS serial tyres (Standard wheel)
- AS accessories: G06921016 (Twin wheels rear AS Sherpa)

AS 940 Sherpa 4WD

- AS serial tyres with tyre sealant “Plattfuss-Stop” (Standard wheel)
- AS accessories: G06921014 (XL wheel kit AS 940)
- AS accessories: G06921016 (Twin wheels rear AS Sherpa)

AS 940 Sherpa 4WD XL

- AS serial tyres with tyre sealant “Plattfuss-Stop” (XL wheel)
- AS accessories: G06999001 (Standard wheel kit AS 940)

Always mount front and rear tyres in pairs.

For tyre designation, see chapter “Technical data”.

Disposal and recycling

Lawn cuttings should not be thrown in the trash but should be composted.

Shredded plant material decomposes quickly and can be used as fertilizer and, therefore, be left on the ground.

Dispose of waste oil and fuel in accordance with the local regulations or return it to an oil shop.



The symbol of the crossed-out wheeled garbage can means that this product and the battery/batteries it may contain must be disposed of separately from household waste. As the end user, you are obligated to dispose of the product and the battery/batteries separately in accordance with the respective national regulations, for example by taking them to an official collection point. It is also possible to return them to a retailer if the distributor offers to take them back voluntarily or is legally obligated to do so.

Please note that used batteries and accumulators that are not enclosed in the old appliance and that can be removed from the old appliance without causing damage must be separated from the old appliance before it is handed in.

By collecting them separately, you make a valuable contribution to protecting the environment and human health, as the proper treatment of old appliances avoids potentially negative effects caused by the presence of hazardous substances and conserves raw materials by recovering them.

Please also note that waste avoidance makes an even more valuable contribution to environmental protection. Where possible, therefore, in addition to continuing to use or repair them yourself, passing on to second users is also an ecologically valuable alternative to disposal.

Warranty

Please see our homepage www.as-motor.com for warranty conditions.

Please print out the documents that you receive during the online registration. Keep these together with your proof of purchase.

Troubleshooting

The following table contains the most frequent problems and their elimination. If more problems occur, contact the closest authorised service centre.

You can find an authorised service centre on our home page www.as-motor.com.

Problem	Possible cause	Remedy
Starter does not turn	Safety switches are not actuated.	<ul style="list-style-type: none"> – Move drive lever to neutral position. – Disengage blade. – Put driver in seat to activate seat contact switches.
	Battery is empty: – Ignition key was not in position “Off”. – Standstill period was too long.	Batterie laden (siehe Kapitel “Checking and charging the battery”) bzw. autorisierte authorised service centre.
	Fuse is defective.	Replace (if necessary, have authorised service centre do so).
	Battery is defective.	Replace the battery (authorised service centre).
Engine does not start	Fuel valve is closed.	Open fuel valve.
	No fuel is in the tank.	Refill fuel.
	Choke is open.	Close the choke.
	Device was tilted – oil leaked into the air filter.	Replace air filter, unscrew spark plug and start several times when the fuel valve is closed, dry the spark plug and screw it back in.
	Engine was flooded due to too many start attempts.	Unscrew spark plugs and start several times when the fuel valve is closed, dry the spark plugs and screw them back in.
	Spark plug connector is pulled off.	Observe the safety instructions! Put spark plug connector back on.
	Air filter is dirty.	Maintain air filter (see chapter “Maintenance”).
	Spark plugs are dirty, damaged, or incorrect electrode gap.	Clean spark plugs and check electrode gap (see chapter “Maintenance”). Replace spark plugs if necessary.
	No oil pressure: Too little engine oil.	Check engine oil level, refill.
	No oil pressure: Slope too steep.	Bring the device to a level position.

Problem	Possible cause	Remedy
	Poor quality, dirty, or old fuel.	Clean fuel system (authorised service centre). Always use fresh fuel.
Engine starts badly or runs irregularly	Choke is closed.	Open choke (see chapter "Starting").
	Air filter is dirty.	Maintain air filter (see chapter "Maintenance").
	Poor quality, dirty, or old fuel.	Always use fresh fuel.
	Spark plug is dirty, damaged, or incorrect electrode gap.	Clean spark plug and check electrode gap (see chapter "Maintenance"). Replace spark plug if necessary.
Device does not move	The drive is unlocked.	Lock the drive.
	Hydrostatic drive is overheated.	Cool down (see chapter "Maintenance"3)).
Blade cannot be engaged	Lever for cutting height adjustment in transport position.	Lower lever for cutting height adjustment to the desired cutting height.
The blade does not rotate	V-belt is insufficiently tensioned or damaged.	Authorised service centre.
	Bowden cable is defective.	Authorised service centre.
Strong vibrations during operation	Imbalance of the blade caused by incorrect sharpening or chips on the blade.	Have blade resharpened and balanced by an authorised service centre. Replace a damaged blade immediately.
	Blade drive shaft is bent due to collisions with foreign objects.	Authorised service centre.
	Engine fastening is loose.	Authorised service centre.
	Blade fastening is loose.	Authorised service centre.
Irregular noises	Loose fastening elements.	authorised service centre.
	Muffler is defective.	authorised service centre.
	Hydrostatic drive is overheated.	Cool down (see chapter "Maintenance").
Engine is smoking	Air filter is dirty or drenched with oil.	Maintain or replace air filter (see chapter "Maintenance").
	Oil level is too high.	Have authorised service centre lower the oil level to the marking.
Engine gets hot	Ventilation grid is dirty.	Clean ventilation grid.
	Oil level in the engine is too low.	Refill engine oil (see operator's manual of the engine manufacturer).
	Cooling fins of the engine are dirty.	Have cooling fins cleaned by authorised service centre.

Problem	Possible cause	Remedy
Uneven cut, lawn becomes unsightly	Blade is dull or worn.	Have blade resharpened and balanced by an authorised service centre. Replace a damaged blade immediately.
	Speed is too high in relation to the cutting height.	Reduce speed and/or select the correct cutting height.
	Housing of the mower is heavily contaminated.	Clean.
	Different tire pressure.	Check the tire pressure.
	Mower housing is not 2)parallel to the ground.	Adjust (authorised service centre).
Mulching result of thick brush not satisfactory	Speed is too high.	Reduce speed.
Mulching result of normal brush not satisfactory	Mulched material is ejected too quickly.	Increase speed.
Housing is jammed	Mowed grass was too long or too damp.	Adjust cutting height and mowing speed to the mowing conditions.
	Blade is worn.	authorised service centre.
	Engine speed is too low despite full power.	authorised service centre.
The device does not stop when the parking brake is activated	Parking brake is adjusted incorrectly, worn, or defective.	Check the parking brake (see chapter "Maintenance"3)). Authorised service centre.
The engine does not switch off	Switching off system is defective.	Close the fuel valve. Authorised service centre.
The tires become flat	Thorns or sharp objects damage the tyres.	If necessary, Use tyre sealant (authorised service centre).

Technical data AS 915 Sherpa 2WD Loncin

Type	AS 915 Sherpa 2WD Loncin
Range of application (temperature)	0 - 30 °C For temperatures below 5 °C, observe the engine manufacturer's information regarding the engine oil.
Engine, type Manufacturer Type Cylinder capacity Performance Engine speed	Two-cylinder four-stroke engine Loncin LC2P77F 708 cm ³ 15.6 kW (21,2 PS) 3,300 min ⁻¹
Starting device	Electric start
Battery	12 V, approx. 30 Ah
Fuses Main fuse Fuse controller generator	25 A 25 A
Traction drive Rear Speed forward Speed reverse	Hydrostatic transmission with differential lock 0 - 10.5 km/h 0 - 8.2 km/h
Maximum area coverage	approx. 6,500 - 9,450 m ² /h
Turning radius	approx. 0,6 m
Seat	Moveable, spring-loaded
Cutting device, type Cutting width Cutting height in 5 levels Transport position	Cutter bar with screwed-on reversing blades and mulching blades 90 cm 50-105 mm 130 mm
Drive of cutting tool Clutch of cutting tool Growth height	V-belt Belt tension clutch up to approx. 120 cm
Measures and weights Weight Transport size with packaging L/W/H max. operating dimensions L/W/H	275 kg 195/111/112 cm 191/98/100 cm
max. towing load max. towbar download	100 kg 25 kg
Capacities Fuel tank Engine oil Transmission oil (hydrostat)	17 liters, of which approx. 0.8 L reserve 2.4 litres 5 W50 fully synthetic engine oil (see operating instructions of the engine manufacturer) 3.9 Liter 5 W50 fully synthetic engine oil

Type	AS 915 Sherpa 2WD Loncin
Sound level	according to DIN EN 12733
Measured sound power level L_{WA} Uncertainty factor K_{WA}	102.6 dB (A) 2.5 dB (A)
Measured sound pressure level at working place L_{pA} Uncertainty factor K_{pA}	92,5 dB (A) 2.5 dB (A)
Vibration emission value Hand-arm-vibrations $a_{h,W}$ Measurement uncertainty U Whole-body vibrations $a_{h,W}$ Measurement uncertainty U	according to DIN EN ISO 5395 1.4 m/s ² 2.0 m/s ² 0.40 m/s ² 0.2 m/s ²
Tyre pressure Front Rear	0,8 - 1,2 bar 0,5 - 0,8 bar
Tyre designation Front Rear	Standard wheel 15x5.00-6 18x9.50-8
Stability (according to the standard measuring method DIN EN ISO 5395)	18°

Technical data AS 920 Sherpa 2WD B&S, AS 920 Sherpa 2WD Loncin

Type	AS 920 Sherpa 2WD B&S	AS 920 Sherpa 2WD Loncin
Range of application (temperature)	0 - 30 °C For temperatures below 5 °C, observe the engine manufacturer's information regarding the engine oil.	
Engine, type	Two-cylinder four-stroke engine	Two-cylinder four-stroke engine
Manufacturer	Briggs & Stratton	Loncin
Type	44 Professional Series 8, V-Twin	LC2P77F
Cylinder capacity	724 cm ³	708 cm ³
Performance	16.5 kW (22,4 PS)	15.6 kW (21,2 PS)
Engine speed	3,300 min ⁻¹	3,300 min ⁻¹
Starting device	Electric start	
Battery	12 V, approx. 30 Ah	
Fuses		
Main fuse	25 A	
Fuse controller generator	25 A	
Traction drive		
Rear	Hydrostatic transmission with differential lock	
Speed forward	0 - 10.5 km/h	
Speed reverse	0 - 8.2 km/h	
Maximum area coverage	approx. 6,500 - 9,450 m ² /h	
Turning radius	approx. 0,6 m	
Seat	Movable, spring mounted, adjustable to the driver's weight	
Cutting device, type	Cutter bar with screwed-on reversing blades and mulching blades	
Cutting width	90 cm	
Cutting height in 5 levels	50-105 mm	
Transport position	130 mm	
Drive of cutting tool	V-belt	
Clutch of cutting tool	Belt tension clutch	
Growth height	up to approx. 150 cm	
Measures and weights		
Weight	280 kg	285 kg
Transport size with packaging L/W/H	195/111/112 cm	195/111/112 cm
max. operating dimensions L/W/H	191/98/152 cm	191/98/152 cm
Height when bar is folded down	100 cm	100 cm
max. towing load	100 kg	
max. towbar download	25 kg	

Type	AS 920 Sherpa 2WD B&S	AS 920 Sherpa 2WD Loncin
Capacities		
Fuel tank	17 liters, of which approx. 0.8 L reserve	17 liters, of which approx. 0.8 L reserve
Engine oil	1.9 litres 5 W50 fully synthetic engine oil (see operating instructions of the engine manufacturer)	2.4 litres 5 W50 fully synthetic engine oil (see operating instructions of the engine manufacturer)
Transmission oil (hydrostat)	3.9 Liter 5 W50 fully synthetic engine oil	3.9 Liter 5 W50 fully synthetic engine oil
Sound level	according to DIN EN 12733	according to DIN EN 12733
Measured sound power level L_{WA}	99.2 dB (A)	101.4 dB (A)
Uncertainty factor K_{WA}	2.5 dB (A)	2.5 dB (A)
Measured sound pressure level at working place L_{pA}	90,0 dB (A)	92,7 dB (A)
Uncertainty factor K_{pA}	2.5 dB (A)	2.5 dB (A)
Vibration emission value	according to DIN EN ISO 5395	according to DIN EN ISO 5395
Hand-arm-vibrations $a_{h,W}$	1.4 m/s ²	1.6 m/s ²
Measurement uncertainty U	2.0 m/s ²	2.0 m/s ²
Whole-body vibrations $a_{h,W}$	0.28 m/s ²	0.39 m/s ²
Measurement uncertainty U	0.2 m/s ²	0.2 m/s ²
Tyre pressure		
Front	0,8 - 1,2 bar	
Rear	0,5 - 0,8 bar	
Tyre designation	Standard wheel	
Front	15x5.00-6	
Rear	18x9.50-8	
Stability (according to the standard measuring method DIN EN ISO 5395)	18°	18°

Technical data AS 940 Sherpa 4WD B&S, AS 940 Sherpa 4WD Loncin

Type	AS 940 Sherpa 4WD B&S	AS 940 Sherpa 4WD Loncin
Range of application (temperature)	0 - 30 °C For temperatures below 5 °C, observe the engine manufacturer's information regarding the engine oil.	
Engine, type	Two-cylinder four-stroke engine	Two-cylinder four-stroke engine
Manufacturer	Briggs & Stratton	Loncin
Type	44 Professional Series 8, V-Twin	LC2P77F
Cylinder capacity	724 cm ³	708 cm ³
Performance	16.5 kW (22,4 PS)	15.6 kW (21,2 PS)
Engine speed	3,300 min ⁻¹	3,300 min ⁻¹
Starting device	Electric start	
Battery	12 V, approx. 30 Ah	
Fuses		
Main fuse	25 A	
Fuse controller generator	25 A	
Traction drive	Permanent all-wheel drive	
Rear	Rear axle with differential lock	
Front	Pendular portal axle, with two hydraulic engines and upright shafts	
Speed forward	0 - 6.5 km/h	
Speed reverse	0 - 6.0 km/h	
Maximum area coverage	approx. 5,500 m ² /h	
Turning radius	approx. 1,4 m	
Seat	Movable, spring mounted, adjustable to the driver's weight	
Cutting device, type	Cutter bar with screwed-on reversing blades and mulching blades	
Cutting width	90 cm	
Cutting height in 5 levels	50-105 mm	
Transport position	130 mm	
Drive of cutting tool	V-belt	
Clutch of cutting tool	Belt tension clutch	
Growth height	up to approx. 150 cm	
Measures and weights		
Weight	298 kg	303 kg
Transport size with packaging L/W/H	195/111/112 cm	195/111/112 cm
max. operating dimensions L/W/H	191/98/152 cm	191/98/152 cm
Height when bar is folded down	100 cm	100 cm

Type	AS 940 Sherpa 4WD B&S	AS 940 Sherpa 4WD Loncin
max. towing load max. towbar download	100 kg 25 kg	
Capacities Fuel tank Engine oil Transmission oil (hydrostat)	17 liters, of which approx. 0.8 L reserve 1.9 litres 5 W50 fully synthetic engine oil (see operating instructions of the engine manufacturer) 6.8 Liter 5 W50 fully synthetic engine oil	17 liters, of which approx. 0.8 L reserve 2.4 litres 5 W50 fully synthetic engine oil (see operating instructions of the engine manufacturer) 6.8 Liter 5 W50 fully synthetic engine oil
Sound level	according to DIN EN 12733	according to DIN EN 12733
Measured sound power level L_{WA} Uncertainty factor K_{WA}	99.2 dB (A) 2.5 dB (A)	102.3 dB (A) 2.5 dB (A)
Measured sound pressure level at working place L_{pA} Uncertainty factor K_{pA}	90,6 dB (A) 2.5 dB (A)	92,7 dB (A) 2.5 dB (A)
Vibration emission value Hand-arm-vibrations $a_{h,W}$ Measurement uncertainty U Whole-body vibrations $a_{h,W}$ Measurement uncertainty U	according to DIN EN ISO 5395 1.2 m/s ² 2.0 m/s ² 0.38 m/s ² 0.2 m/s ²	according to DIN EN ISO 5395 1.3 m/s ² 2.0 m/s ² 0.37 m/s ² 0.2 m/s ²
Tyre pressure Front Rear	0,8 - 1,2 bar 0,5 - 0,8 bar	
Tyre designation Front Rear	Standard wheel 15x5.00-6 (as standard with flat tyre protection sealant approx. 0,5 L) 18x9.50-8 (as standard with flat tyre protection sealant approx. 1,0 L)	
Stability (according to the standard measuring method DIN EN ISO 5395)	20°	20°

Technical data AS 940 Sherpa 4WD XL B&S, AS 940 Sherpa 4WD XL Loncin

Type	AS 940 Sherpa 4WD XL B&S	AS 940 Sherpa 4WD XL Loncin
Range of application (temperature)	0 - 30 °C For temperatures below 5 °C, observe the engine manufacturer's information regarding the engine oil.	
Engine, type	Two-cylinder four-stroke engine	Two-cylinder four-stroke engine
Manufacturer	Briggs & Stratton	Loncin
Type	44 Professional Series 8, V-Twin	LC2P77F
Cylinder capacity	724 cm ³	708 cm ³
Performance	16.5 kW (22,4 PS)	15.6 kW (21,2 PS)
Engine speed	3,300 min ⁻¹	3,300 min ⁻¹
Starting device	Electric start	
Battery	12 V, approx. 30 Ah	
Fuses		
Main fuse	25 A	
Fuse controller generator	25 A	
Traction drive	Permanent all-wheel drive	
Rear	Rear axle with differential lock	
Front	Pendular portal axle, with two hydraulic engines and upright shafts	
Speed forward	0 - 6.7 km/h	
Speed reverse	0 - 6.5 km/h	
Maximum area coverage	approx. 6,000 m ² /h	
Turning radius	approx. 1,2 m	
Seat	Movable, spring mounted, adjustable to the driver's weight	
Cutting device, type	Cutter bar with screwed-on reversing blades and mulching blades	
Cutting width	90 cm	
Cutting height in 5 levels	80-135 mm	
Transport position	160 mm	
Drive of cutting tool	V-belt	
Clutch of cutting tool	Belt tension clutch	
Growth height	up to approx. 150 cm	
Measures and weights		
Weight	306 kg	310 kg
Transport size with packaging L/W/H	195/111/112 cm	195/111/112 cm
max. operating dimensions L/W/H	191/98/156 cm	191/98/156 cm
Height when bar is folded down	103 cm	103 cm

Type	AS 940 Sherpa 4WD XL B&S	AS 940 Sherpa 4WD XL Loncin
max. towing load max. towbar download	100 kg 25 kg	
Capacities Fuel tank Engine oil Transmission oil (hydrostat)	17 liters, of which approx. 0.8 L reserve 1.9 litres 5 W50 fully synthetic engine oil (see operating instructions of the engine manufacturer) 6.8 Liter 5 W50 fully synthetic engine oil	17 liters, of which approx. 0.8 L reserve 2.4 litres 5 W50 fully synthetic engine oil (see operating instructions of the engine manufacturer) 6.8 Liter 5 W50 fully synthetic engine oil
Sound level	according to DIN EN 12733	according to DIN EN 12733
Measured sound power level L_{WA} Uncertainty factor K_{WA}	99.2 dB (A) 2.5 dB (A)	101.7 dB (A) 2.5 dB (A)
Measured sound pressure level at working place L_{pA} Uncertainty factor K_{pA}	90,0 dB (A) 2.5 dB (A)	92,5 dB (A) 2.5 dB (A)
Vibration emission value Hand-arm-vibrations $a_{h,W}$ Measurement uncertainty U Whole-body vibrations $a_{h,W}$ Measurement uncertainty U	according to DIN EN ISO 5395 1.2 m/s ² 2.0 m/s ² 0.24 m/s ² 0.2 m/s ²	according to DIN EN ISO 5395 1.5 m/s ² 2.0 m/s ² 0.31 m/s ² 0.2 m/s ²
Tyre pressure Front Rear	1,5 - 2,0 bar 0,5 - 0,9 bar	
Tyre designation Front Rear	XL wheel 4.80/4.00-8 (as standard with flat tyre protection sealant approx. 0,5 L) 20x10.00-8 (as standard with flat tyre protection sealant approx. 1,0 L)	
Stability (according to the standard measuring method DIN EN ISO 5395)	21°	21°

Accessories

Steering wheel knob:	G06980011
Transport trailer:	G06800003
Trailer hitch AS Sherpa:	G06900002
Snow blade without adaptor:	G06837006
Adapter snow blade AS Sherpa:	G06937014
Snow chains 1 set AS 940 front: (not for AS 940 Sherpa 4WD XL B&S, AS 940 Sherpa 4WD XL Loncin or accessories G06921014)	G06937005
Snow chains rear Sherpa+YAK: (not for AS 940 Sherpa 4WD XL B&S, AS 940 Sherpa 4WD XL Loncin or accessories G06921014)	G06937003
Standard wheel kit AS 940:	G06999001
XL wheel kit AS 940: (not for AS 915 Sherpa 2WD Loncin, AS 920 Sherpa 2WD B&S and AS 920 Sherpa 2WD Loncin. No fitting of snow chains possible!)	G06921014
Twin wheels rear AS Sherpa: (not for AS 940 Sherpa 4WD XL B&S und AS 940 Sherpa 4WD XL Loncin. No fitting of snow chains possible!)	G06921016
Tangling guard kit for wheel 15x5.00-6:	G06999004
Tangling guard kit for wheel 4.80/4.00-8:	G06999003
Tyre sealant "Plattfuß-Stop" 950 ml:	G00041068
Tyre sealant "Plattfuß-Stop" 20 l:	G00041069
Pump for tyre sealant "Plattfuss-Stop" 20 l:	G00041070
Inclinometer:	G06950027
Mulching kit AS Sherpa:	G06926034
Insect repellent device (without adapter):	G60099004
Adapter for insect repellent device AS 915 Sherpa, AS 920 Sherpa, AS 940 Sherpa:	G06999005
Spray can (orange colour):	G00011050

EC Declaration of conformity

We declare that the grassland mowers

Type	starting from serial no.
AS 915 Sherpa 2WD Loncin	039023030001
AS 920 Sherpa 2WD B&S	039123030001
AS 920 Sherpa 2WD Loncin	040023030001
AS 940 Sherpa 4WD B&S	039223030001
AS 940 Sherpa 4WD Loncin	039823030001
AS 940 Sherpa 4WD XL B&S	039323030001
AS 940 Sherpa 4WD XL Loncin	039923030001

as brought into circulation by us conform to all relevant safety and health requirements of the EC directives listed.

- 2006/42/EC
- 2014/30/EC
- 2011/65/EC

Function:

The device is intended for cutting and mulching grass or similar vegetation in agriculture, and forestry.

Applied standards:

DIN EN 12733
DIN EN ISO 5395 (in parts)
EN 55012:2007 + A1:2009
DIN EN ISO 14982:2009

Place where all technical records are filed:

AriensCo GmbH
Ellwanger Straße 15
74424 Bühlertann
Germany

Bühlertann, in May 2023



Jochen Schneider
Management



by proxy Frank Einsiedler
Head of development



AriensCo GmbH
Ellwanger Straße 15
74424 Bühlertann
Germany
www.as-motor.com



AS-Motor is your premium brand for lawn and high grass mowers as well as weed removers. We offer our customers professional technology for steep slopes, rough terrain, and lawn care. Our extensive product range which includes hand-held entry-level devices up to devices with remote control will always offer private customers, service providers, cities, municipalities and road maintenance authorities the right product. For more than 60 years, we have been developing and producing with a high production depth in Southern Germany and supply our dealer network in more than 45 countries all over the world.

- Mulching mower** AS Mulching mowers shred the grass to create such a fine mulch, almost an “invisible” fertiliser, that sinks right away back into the lawn. Disposal of the cuttings is not required.
- Professional lawn mower** Professional lawn mowers with rear or side discharge for every requirement, even with all-wheel drive, brake and reverse gear.
- Allmäher®** An agile lawn mower for maintenance of extensive grassed areas. The Allmäher® reliably mows metre-high grass, brushes, and weeds.
- Flail mower** High grass with undergrowth, steep slopes or areas in unknown terrain? The movably mounted flail blades of the AS-Motor flail mower give way to rocks and obstacles and ensure an even cutting pattern.
- Ride-on mower** Large areas, weeds, undergrowth or enormous grass heights - the AS-Motor ride-on mowers are made for it. The all-wheel drive ride-on mowers are also perfect for rough terrain.
- Equipment carriers and attachments** Equipment carriers from AS-Motor give flexibility for the professional service provider's daily routine. For example, for insect-friendly mowing, sweeping, snow clearing and even more.
- Remote control mower** Steep slope mowing is a challenge for man and machine. Modern RC technology makes this hard work much easier and safer.
- Rotary mower** Ideal for feed production in the non-professional segment. The grass is moved to the side, unshredded, in rows as swaths.
- Weed remover** The AS-Motor weed removers mechanically clean paved areas and curb stones from growing weeds – quickly, safely, and efficiently.
- AS-Motor Electric** The AS-Motor Electric drive sets new standards in performance, power and endurance. Devices with this drive offer comparable performance values to devices with combustion engine.

AS-Motor is a brand of the Ariens Company

