

**Print spare parts list**

## Ersatzteile

AS 63 4T B&S

- from serial No. 033019030001

Seriennummer, Сериен номер, Sériové číslo, Serial number, Número de serie, Sarjanumero, Numéro de série, Serijski broj, Sorozatszám, Numero di serie, Serijos numeris, Seriennummer, Numer seryjny, Serijska številka

DE Hier Aufkleber aus Garantiekarte aufkleben.  
BG Залепете тук стикери от гаранционната Карта.  
CZ Sem nalepte nálepku ze záručního listu.  
DK Her skal maerkaten fra garantikortet klaebes på.  
GB Please adhere the sticker from the warranty card here.  
ES Pegar aquí el adhesivo de la tarjeta de garantía.  
FI Liimaa takuukortin tarra tähän.  
FR Collez ici l'autocollant placé sur la carte de garantie .  
HR Ovdje zalijepite naljepnicu iz jamstvenog lista.

HU Ide ragassza a matricát a garanciakártyából.  
IT Applicare qui l'etichetta, come scheda di garanzia.  
LT Čia užklijuokite garantijos pase pateiktą lipduką.  
NL Plak hier sticker uit garantiekaart.  
NO Lim klistremerke fra garantikortet inn her.  
PL Tutaj nakleić naklejkę na kartę gwarancyjną.  
SL Tukaj nalepite nalepko z garancijskega lista.  
SE Klistra fast etiketten från garantikortet här.

Ab Serien Nr.: from serial No. 033019030001

Ausgabe: 13.09.2024, EN

AS-Motor GmbH  
Eilwanger Straße 15  
D-74424 Bühlertann  
Telefon 07973-9123-0  
Telefax 07973-9123-259  
[www.as-motor.de](http://www.as-motor.de)

## **If you need spare parts:**

1. Send your order to your AS-Motor dealer.
2. In order to get you the right spare part he needs:

- **Model name (s. sticker on the machine)**
- **Serial No. of machine (sticker or S/N lable)**
- **Articlenumber**
- **Your dealer orders part in our online system parts and more.**

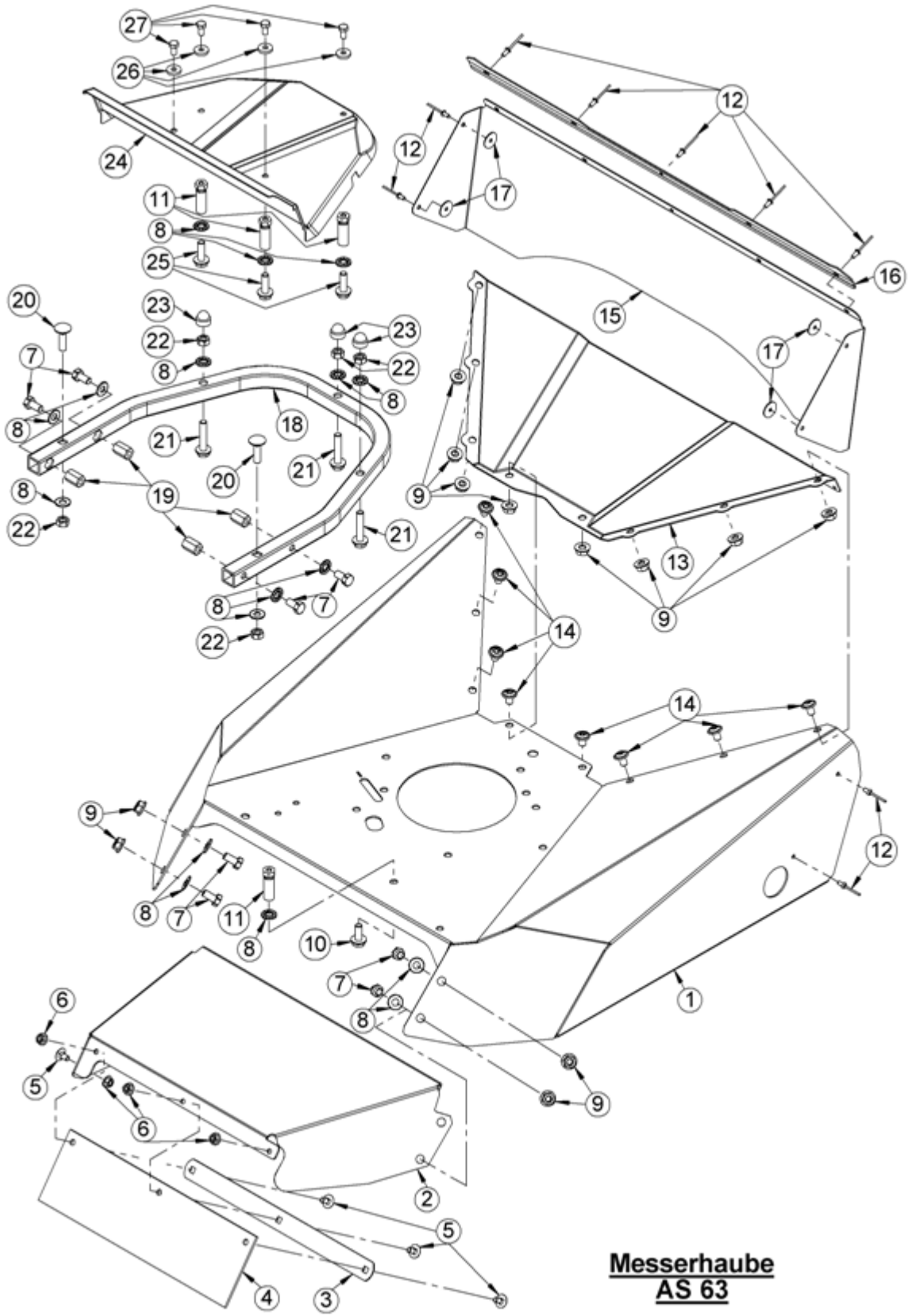
Only in this case you receive all important information about proper spare parts and possible technical changes.

Please fulfil only maintenance tasks mentioned in the owner manual by yourself. All other tasks have to be done by authorised AS-Motor dealer.

Subject to change without notice.

Images may show differences from the machines in production.

# Blade cover

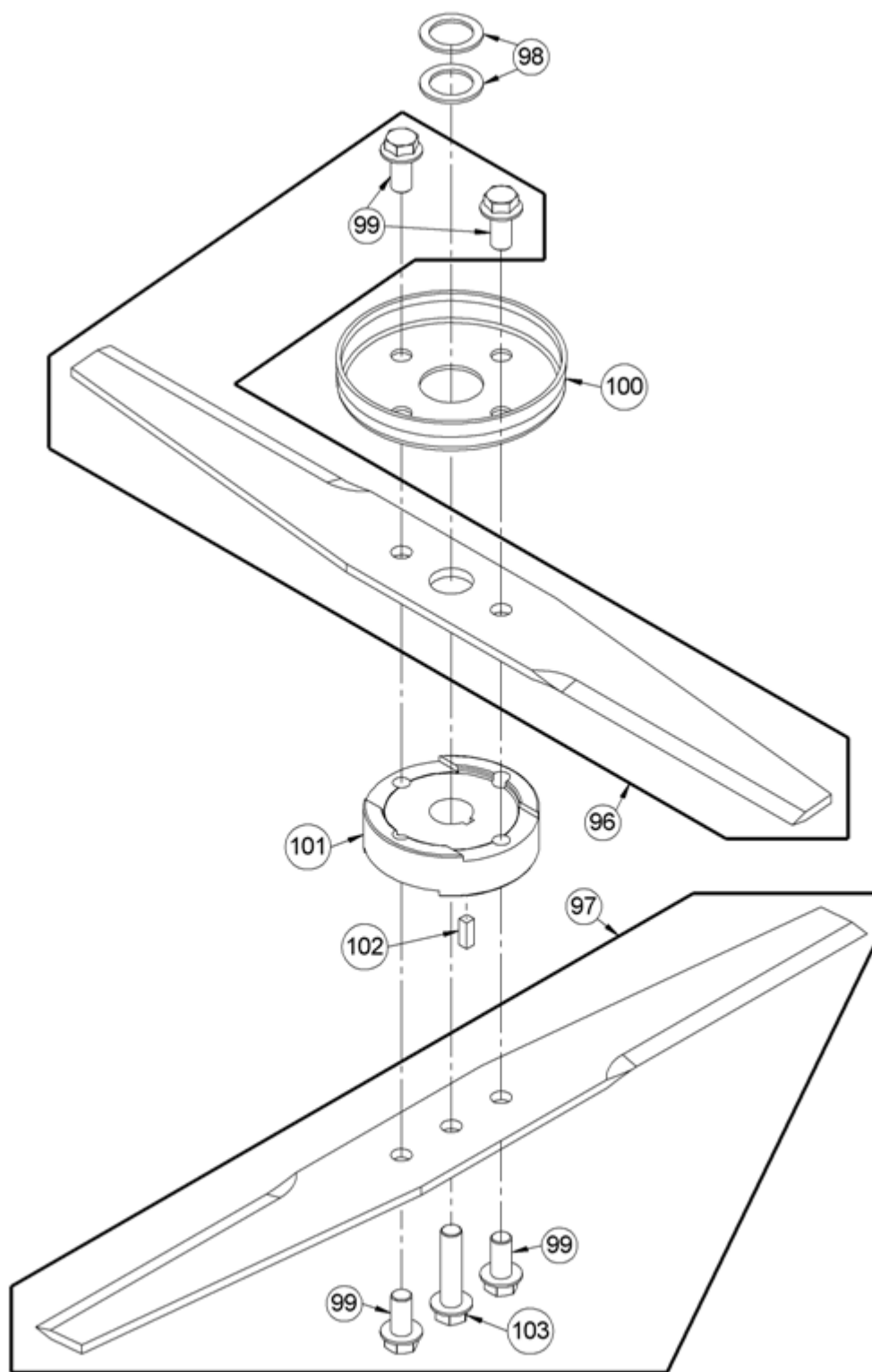


**Messerhaube**  
**AS 63**

## Blade cover

Item	Part-No.		Quantity	Description
1	G60020008	G60020008	1	Blade hood
2	G60020011	G60020011	1	Ejector
3	G60026013	G60026013	1	Protection skirt holder
4	G90126012	E12763	1	Ejector rubber
5	G07827008	E04991	4	Mushroom head square neck bolt (3 Stk.)
6	G00007041	E05975	4	Selflocking nut with serrated bearing (5
7	G07838026	E03932	8	Hexagon screw (10 Stk.)
8	G00042012	E07132	17	Detent edge disc (4 Stk.)
9	G00007042	E06037	12	Selflocking nut with serrated bearing (3
10	G00009108	E08177	1	Hexagon screw with serration (3 Stk.)
11	G60025021	G60025021	4	Belt guide
12	G00012006	E05262	9	Blind rivet (5 Stk.)
13	G60026010	G60026010	1	Sheet metal guard
14	G00009174	E12496	8	Dome head screw with Torx (10 Stk.)
15	G60026011	G60026011	1	Protection skirt
16	G60026007	G60026007	1	Protection strip
17	G00010120	E10118	4	Mudguard washer (10 Stk.)
18	G60020006	G60020006	1	Frame
19	G00007061	E10018	4	Connection nut
20	G07827028	G07827028	2	Mushroom head square neck bolt
21	G00009086	E06762	3	Hexagon screw
22	G07839003	E01906	5	Hex nut (10 Stk.)
23	G00029021	E10399	3	Sealing cap
24	G60026005	G60026005	1	Belt cover
25	G00009085	E06761	3	Hexagon screw (2 Stk.)
26	G07902005	G07902005	4	Disc (10 Stk.)
27	G07838015	E03959	4	Hexagon screw (10 Stk.)

# Blade with fixing

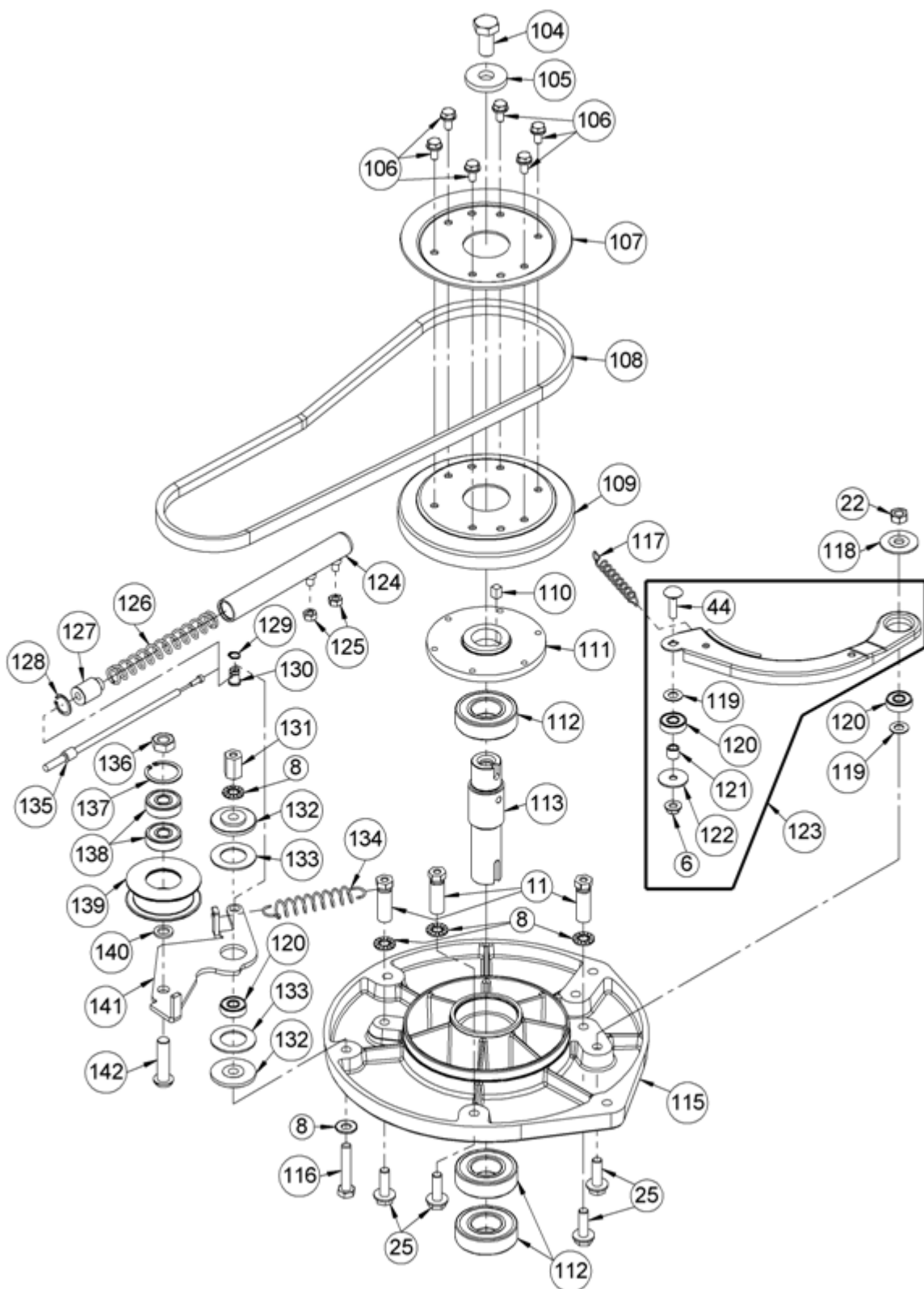


**Messer mit Befestigung**  
**AS 63**

## Blade with fixing

Item	Part-No.		Quantity	Description
96	G60080002	g07399004	1	Blade + 2 screws
97	G60080001	G60080001	1	Blade + 3 screws
98	G07847015	E03928	2	Supporting disc
99	G00009097	E07718	4	Locking screw (4 Stk.)
100	G60023011	G60023011	1	Winding protection cover
101	G60023008	G60023008	1	Cutter disc
102	G07865019	E07723	1	Feather key (4 Stk.)
103	G00009111	E08291	1	Locking screw

# Blade clutch



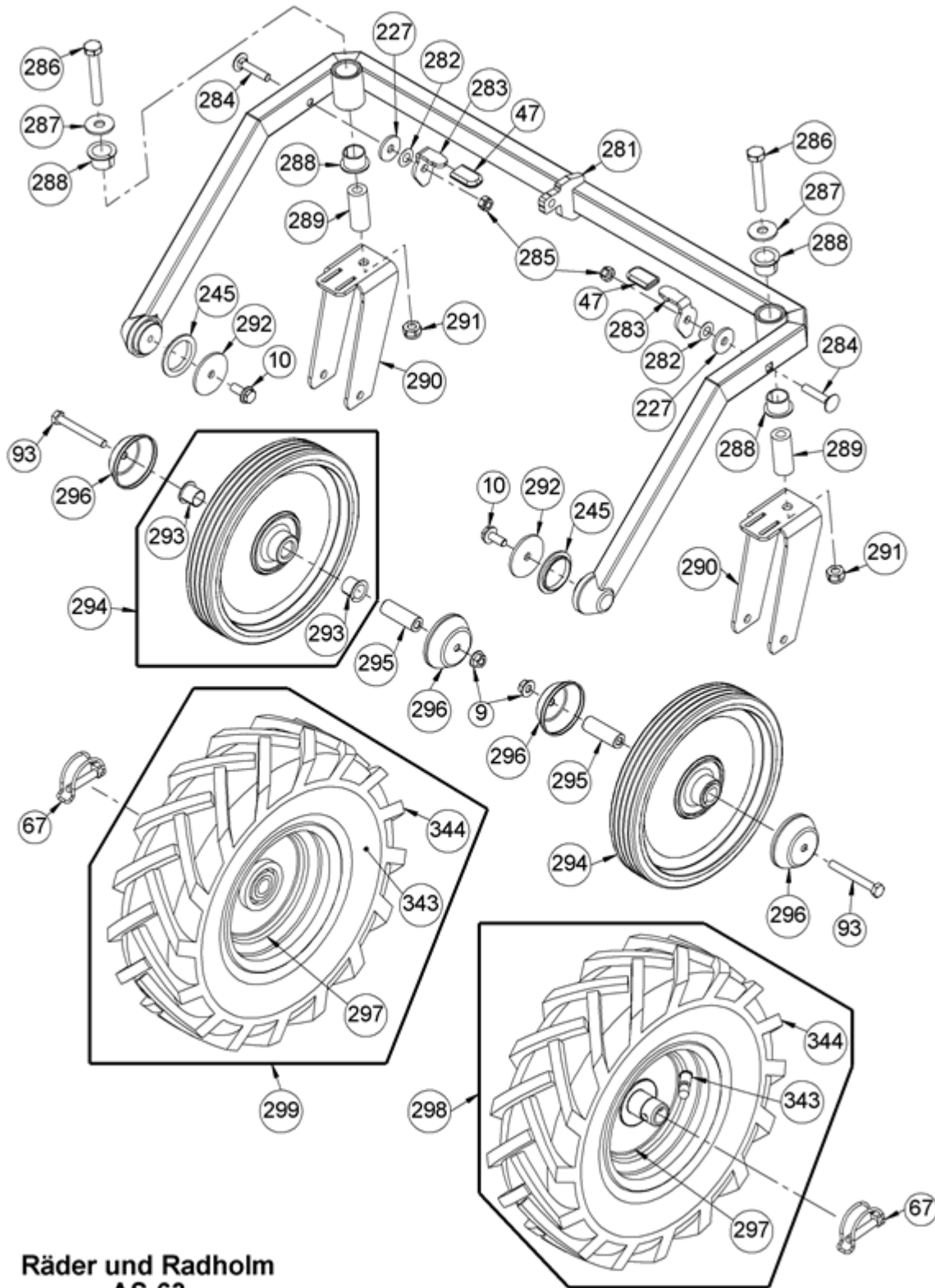
**Messerkupplung  
AS 63**

## Blade clutch

Item	Part-No.		Quantity	Description
6	G00007041	E05975	1	Selflocking nut with serrated bearing (5
8	G00042012	E07132	5	Detent edge disc (4 Stk.)
11	G60025021	G60025021	3	Belt guide
22	G07839003	E01906	1	Hex nut (10 Stk.)
25	G00009085	E06761	4	Hexagon screw (2 Stk.)
44	G07827002	E03524	1	Mushroom head square neck bolt (5 Stk.)
104	G07838038	E04926	1	Hexagon screw (3 Stk.)
105	G07861004	E07213	1	Disc (2 Stk.)
106	G00009016	E04631	6	Hexagon screw with serration (5 Stk.)
107	G60025004	G60025004	1	Belt pulley
108	G07857054	G07857054	1	V-belt
109	G60025005	G60025005	1	Brake drum
110	G07865012	E06648	1	Feather key (2 Stk.)
111	G60025010	G60025010	1	Belt pulley hub
112	G07830015	E08351	3	Deep groove ball bearing
113	G60023005	G60023005	1	Blade shaft
115	G60023010	G60023010	1	Blade baring
116	G07837018	E03905	1	Hexagon screw (3 Stk.)
117	G00002028	E05647	1	Draw spring
118	G00010130	E11606	1	Special disc
119	G07856010	E04337	2	Disc spring (5 Stk.)
120	G07830055	G07830055	3	Deep groove ball bearing
121	G00110013	E03699	1	Spacer sleeve (5 Stk.)
122	G00010084	E03710	1	Disc (10 Stk.)
123	G60034007	G60034007	1	Brake lever+brake lining+bearing
124	G60025015	G60025015	1	Sleeve
125	G07839014	E03915	2	Hex nut (20 Stk.)
126	G00001083	E08389	1	Pressure spring
127	G60025019	G60025019	1	Guide
128	G07823017	G07823017	1	Circlip for drilled hole (10 Stk.)
129	G07822004	E02970	1	Circlip for shaft (10 Stk.)
130	G60020025	G60020025	1	Cable nipple
131	G00007086	G00007086	1	Connection nut
132	G00010140	G00010140	2	Disc
133	G00010137	E13008	2	Thrust washer
134	G00002056	E07867	1	Draw spring
135	G00020181	G00020181	1	Blade clutch cable
136	G07839008	E01953	1	Hex nut (10 Stk.)
137	G07823016	E07209	1	Circlip for drilled hole (2 Stk.)
138	G07830047	E12509	2	Deep groove ball bearing
139	G60025009	G60025009	1	Tension pulley
140	G07847048	E08172	1	Shim (10 Stk.)
141	G60025013	G60025013	1	Tension lever
142	G07922003	E10159	1	Raised countersunk head screw with hexag



# Wheel and wheel strut

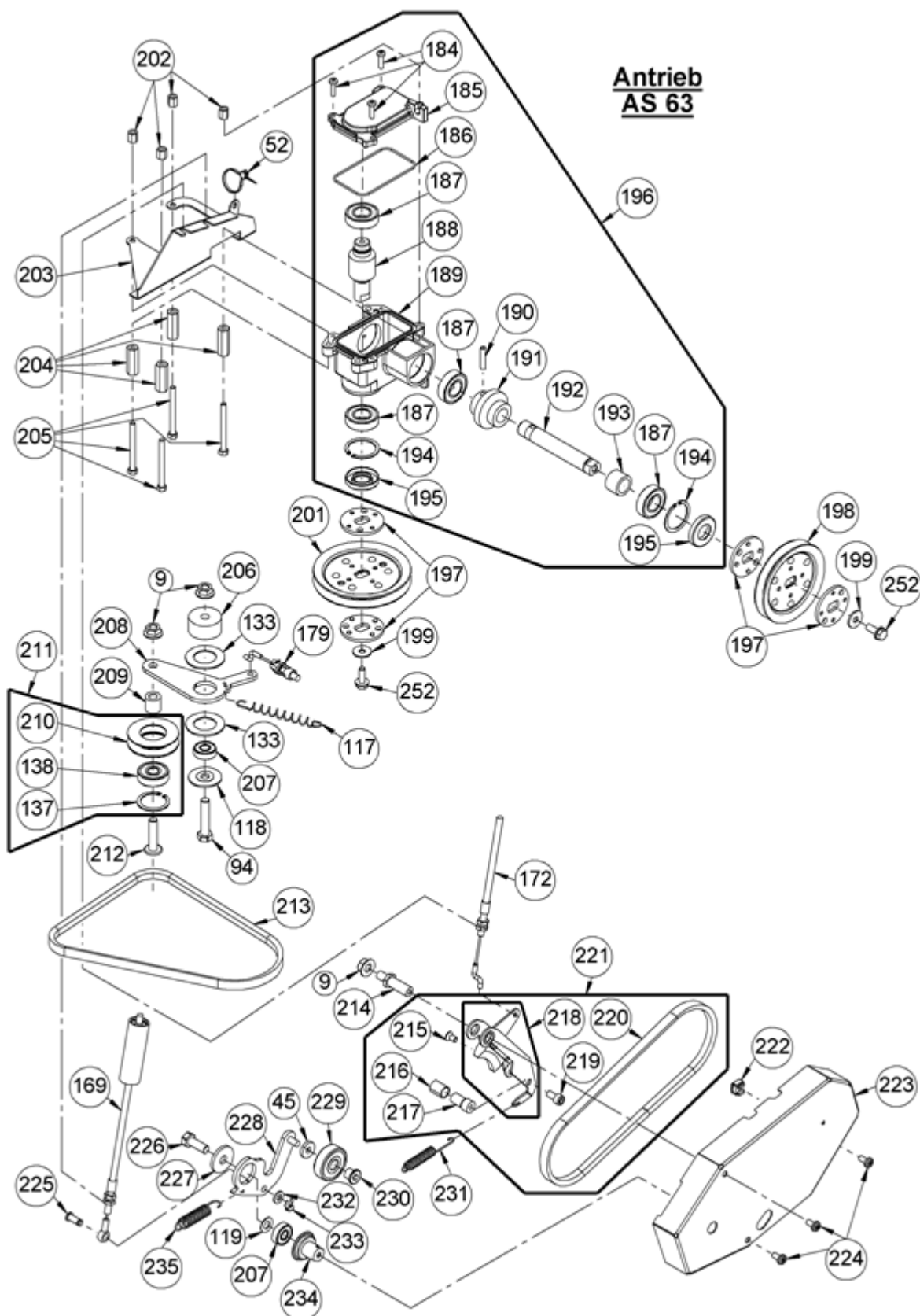


**Räder und Radholm  
AS 63**

## Wheel and wheel strut

Item	Part-No.		Quantity	Description
9	G00007042	E06037	2	Selflocking nut with serrated bearing (3
10	G00009108	E08177	2	Hexagon screw with serration (3 Stk.)
47	G00029024	E10779	2	PVC cap
67	G00027015	E07881	2	Tube linchpin
93	G07837041	E04944	2	Hexagon screw (3 Stk.)
227	G07810004	E06262	2	Disc (5 Stk.)
245	G00028048	E10433	2	Friction bearing with collar
281	G60026012	G60026012	1	Frame
282	G07856011	E05856	2	Disc spring (3 Stk.)
283	G60022023	G60022023	2	Notch plate
284	G07827017	E06612	2	Mushroom head square neck bolt (3 Stk.)
285	G07846001	E01912	2	Self-locking hex nut (10 Stk.)
286	G07838071	E08001	2	Hexagon screw
287	G07880001	E01980	2	Disc (10 Stk.)
288	G00028069	G00028069	4	DU flanged bush
289	G60022021	G60022021	2	Wheel fork bolt
290	G60022018	G60022018	2	Wheel fork
291	G07846005	E01968	2	Self-locking hex nut (10 Stk.)
292	G00010141	G00010141	2	Disc (2 Stk.)
293	G00028025	E06504	4	DU flanged bush (4 Stk.)
294	G60021006	G60021006	2	Wheel Ø200
295	G60021008	G60021008	2	Wheel bolt
296	G60021007	G60021007	4	Winding protection cover
297	G60021005	G60021005	2	Rim
298	G60021004	G60021004	1	Profile wheel right 340x100-3.50-6.00
299	G60021003	G60021003	1	Profile wheel left 340x100-3.50-6.00
343	G60050007	G60050007	2	Hose for wheel 3.50 / 6.00-4PR
344	G60050008	G60050008	2	Sheath for wheel 3.50 / 6.00-4PR

# Drive



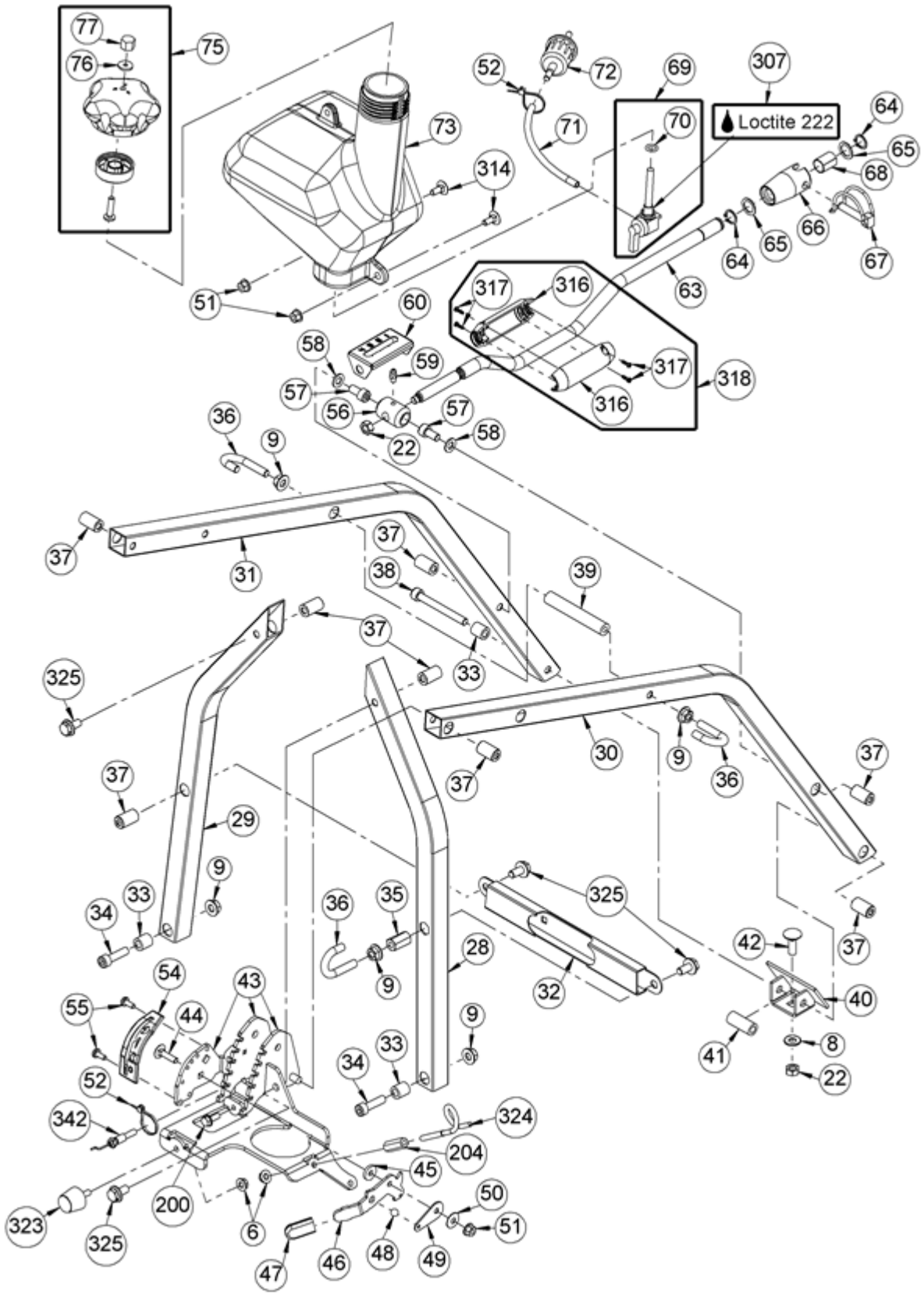
## Drive

Item	Part-No.		Quantity	Description
9	G00007042	E06037	3	Selflocking nut with serrated bearing (3
45	G07861005	E07877	1	Disc (2 Stk.)
52	G00026006	E07956	1	Cable tape (4 Stk.)
94	G07837016	E03901	1	Hexagon screw (5 Stk.)
117	G00002028	E05647	1	Draw spring
118	G00010130	E11606	1	Special disc
119	G07856010	E04337	1	Disc spring (5 Stk.)
133	G00010137	E13008	2	Thrust washer
137	G07823016	E07209	1	Circlip for drilled hole (2 Stk.)
138	G07830047	E12509	1	Deep groove ball bearing
169	G00020182	G00020182	1	Drive cable
172	G00020180	G00020180	1	Brake cable
179	G00020179	G00020179	1	Vario cable
184	G07878011	E05900	3	Raised cross-head screw (5 Stk.)
185	G04830003	E10444	1	Transmission cover
186	G00006058	E10449	1	Gasket
187	G07830017	E04683	4	Deep groove ball bearing
188	G60030012	G60030012	1	Worm shaft
189	G04830002	E10443	1	Transmission housing
190	G07853020	E04322	1	Spring pin (10 Stk.)
191	G60030011	G60030011	1	Worm wheel
192	G60030014	G60030014	1	Worm wheel shaft
193	G00028004	E04319	1	Bearing bush
194	G07823001	E01811	2	Circlip for drilled hole (2 Stk.)
195	G07858013	E10447	2	Shaft seal ring
196	G60030013	G60030013	1	Transmission total
197	G00010065	E04663	4	Disc (3 Stk.)
198	G53125006	E12358	1	Belt pulley
199	G07880004	E03914	2	Disc (20 Stk.)
201	G60025007	G60025007	1	Belt pulley total
202	G00007087	G00007087	4	Connection nut (10 Stk.)
203	G60026006	G60026006	1	Cover
204	G00007089	G00007089	4	Connection nut (10 Stk.)
205	G07837039	E04889	4	Hexagon screw (5 Stk.)
206	G60025014	G60025014	1	Spacer sleeve
207	G07830031	E07211	2	Deep groove ball bearing
208	G60025006	G60025006	1	Vario lever
209	G00024071	G00024071	1	Sleeve
210	G06525056	E07891	1	Tension pulley
211	G06525063	E07208	1	Tension pulley with ball bearing
212	G00009069	E06613	1	Raised-head shouldered screw (2 Stk.)
213	G07857053	G07857053	1	V-belt
214	G60034006	G60034006	1	Brake lever bearing
215	G00009031	E05451	1	Countersunk Torx screw (3 Stk.)
216	G00028008	E06538	1	DU bush
217	G60034005	G60034005	1	Sleeve
218	G60080003	G60080003	1	Brake lever with lining

**Drive** Page 2

Item	Part-No.		Quantity	Description
219	G07833013	E05657	1	Hexagon socket head cap screw (3 Stk.)
220	G07857041	E10414	1	High performance V-belt
221	G60034004	G60034004	1	Brake lever+brake lining+sleeve
222	G00007083	E13024	1	Box nut
223	G60026001	G60026001	1	Belt protection
224	G00009180	E13119	3	Rounded head screw with inside Torx
225	G00012027	E08451	1	Bolt for anti-folding mechanism
226	G07838047	E05320	1	Hexagon screw (10 Stk.)
227	G07810004	E06262	1	Disc (5 Stk.)
228	G60025020	G60025020	1	Belt tensioner
229	G07830012	E04329	1	Deep groove ball bearing
230	G00007079	E12369	1	Special nut
231	G00002080	G00002080	1	Draw spring
232	G07809006	E01940	1	Disc (10 Stk.)
233	G00027016	E08452	1	Anti-folding mechanism (5 Stk.)
234	G53125004	E12357	1	Bearing bolt
235	G00002079	G00002079	1	Draw spring
252	G00009094	E07247	2	Locking screw (2 Stk.)

# Strut



## Strut

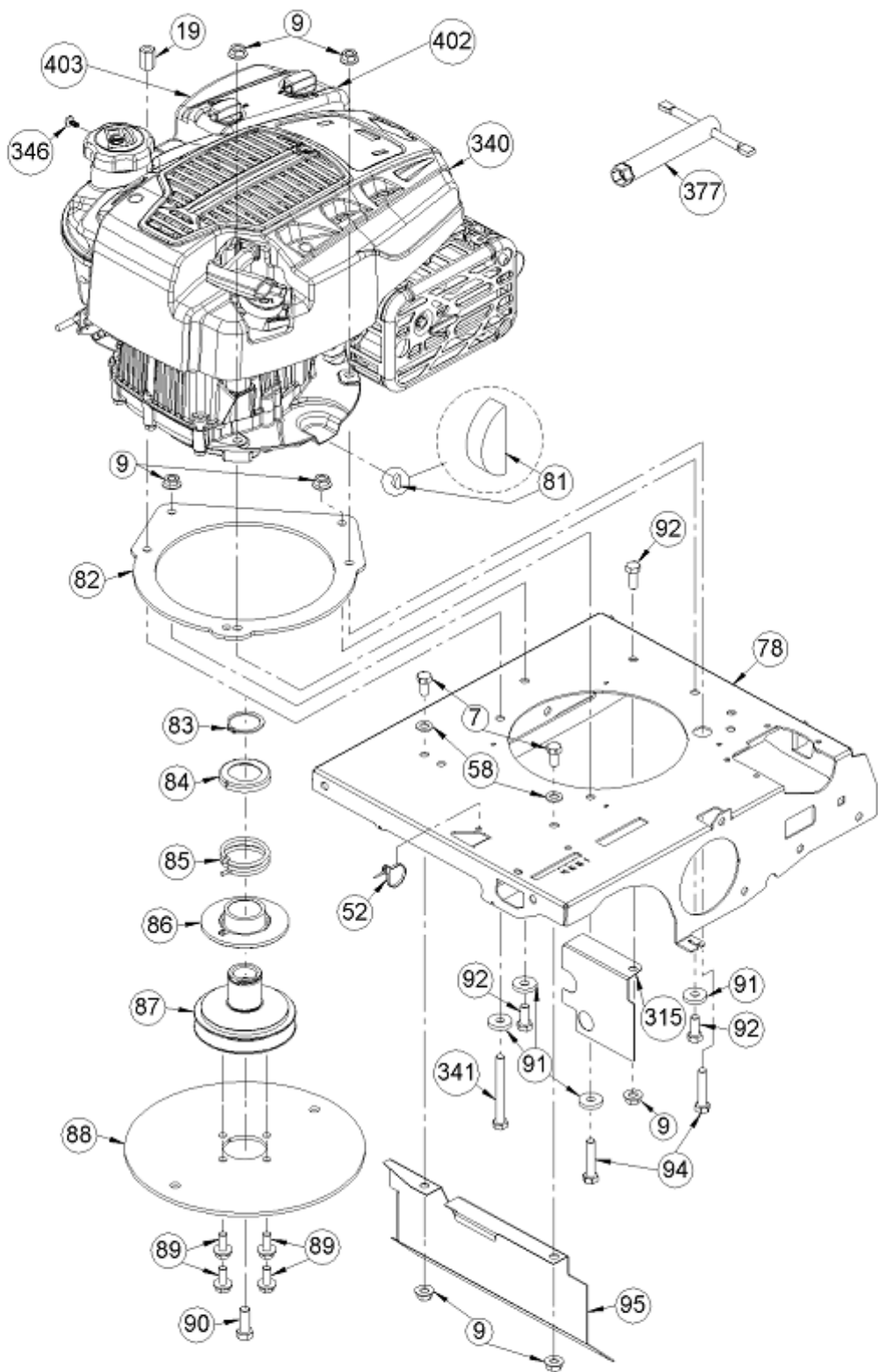
Item	Part-No.		Quantity	Description
6	G00007041	E05975	2	Selflocking nut with serrated bearing (5
8	G00042012	E07132	1	Detent edge disc (4 Stk.)
9	G00007042	E06037	5	Selflocking nut with serrated bearing (3
22	G07839003	E01906	2	Hex nut (10 Stk.)
28	G60022004	G60022004	1	Bar right side (back)
29	G60022005	G60022005	1	Bar left side (back)
30	G60022006	G60022006	1	Bar right side (front)
31	G60022007	G60022007	1	Bar left side (front)
32	G60022020	G60022020	1	Tank holder
33	G00024066	G00024066	3	Sleeve
34	G07833049	G07833049	2	Hexagon socket head cap screw (2 Stk.)
35	G07908002	E12692	2	Hex nut (10 Stk.)
36	G00005047	G00005047	3	Hook (3 Stk.)
37	G00007085	G00007085	8	Special nut
38	G07833050	G07833050	1	Hexagon socket head cap screw
39	G00007088	G00007088	1	Connection nut
40	G60020015	G60020015	1	Angle
41	G00024070	G00024070	1	Sleeve
42	G07827009	E05869	1	Mushroom head square neck bolt (3 Stk.)
43	G60022013	G60022013	1	Notch plate
44	G07827002	E03524	1	Mushroom head square neck bolt (5 Stk.)
45	G07861005	E07877	1	Disc (2 Stk.)
46	G60022046	G60022046	1	Accelerator lever
47	G00029024	E10779	1	PVC cap
48	G07904006	G07904006	1	Ball (10 Stk.)
49	G60022050	G60022050	1	Spring
50	G00033024	E08861	1	Disc spring
51	G07937001	E12459	4	Hex nut (10 Stk.)
52	G00026006	E07956	1	Cable tape (4 Stk.)
54	G60022049	G60022049	1	Throttle controll
55	G00009128	E10373	2	Self-tapping Torx screw (10 Stk.)
56	G60022024	G60022024	1	Joint nut
57	G07833011	E05458	2	Hexagon socket head cap screw (5 Stk.)
58	G07809004	E01905	2	Disc (20 Stk.)
59	G07903002	E05868	1	Lubricating nipple (3 Stk.)
60	G60022027	G60022027	1	Angle
63	G60022029	G60022029	1	Crank
64	G07822024	E12283	2	Circlip for shaft
65	G07847059	G07847059	2	Shim (10 Stk.)
66	G60022026	G60022026	1	Fork head
67	G00027015	E07881	1	Tube linchpin
68	G00028034	E07919	1	DU bush
69	G00022016	E12478	1	Fuel valve with gasket
70	G00006032	E02412	1	O-ring (2 Stk.)
71	G00150085	E04585	1	Fuel hose 1 metre
72	G00023004	E12374	1	Filter
73	G04806001	E11922	1	Tank

**Strut** Page 2

Item	Part-No.		Quantity	Description
75	G06306007	E04783	1	Tank cap total
76	G00019051	E05246	1	Sealing disc (5 Stk.)
77	G00007033	E05247	1	Hexagon cap nut
200	G00009024	E04519	1	Self-tapping screw (3 Stk.)
204	G00007089	G00007089	1	Connection nut (10 Stk.)
307	G00041019	E04719	1	LOCTITE 222 (50 ml)
314	G07827003	E04262	2	Mushroom head square neck bolt (5 Stk.)
316	G60022051	G60022051	2	Handle
317	G00009184	G00009184	4	Raised cross-head screw (10 Stk.)
318	G60080004	G60080004	1	Handle with screw
323	G00008061	E04597	1	Stop buffer
324	G00005038	E06864	1	Handle holder
325	G00009189	G00009189	2	Hexagon screw with serration (5 Stk.)
342	G00020194	G00020194	1	Throttle cable 4T



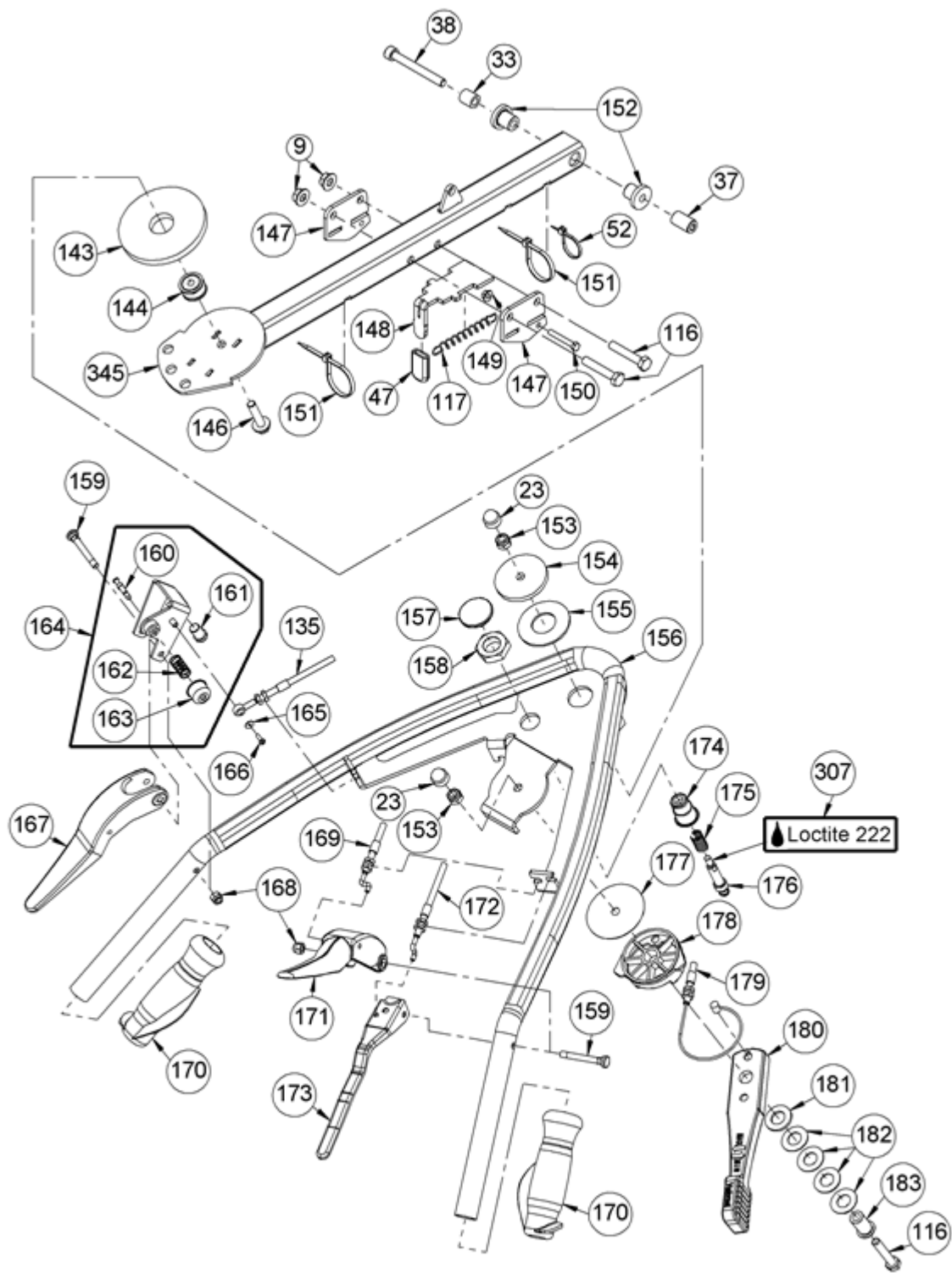
# Motor



## Motor

Item	Part-No.		Quantity	Description
7	G07838026	E03932	2	Hexagon screw (10 Stk.)
9	G00007042	E06037	7	Selflocking nut with serrated bearing (3
19	G00007061	E10018	1	Connection nut
52	G00026006	E07956	1	Cable tape (4 Stk.)
58	G07809004	E01905	2	Disc (20 Stk.)
78	G60020043	G60020043	1	Engine mount total
✂	G60020035	G60020035	1	Engine mount total
81	G07866007	E10162	1	Curved washer
82	G60020024	G60020024	1	Engine plate
✂	G60020034	G60020034	1	Engine plate
83	G07822010	E06311	1	Circlip for shaft (2 Stk.)
84	G53125011	E12362	1	Pot for spring
85	G00001094	G00001094	1	Pressure spring
86	G60025023	G60025023	1	Vario disc
87	G60025011	G60025011	1	Engine hub
88	G60025012	G60025012	1	Flywheel
89	G00009146	E10417	4	Locking screw (4 Stk.)
90	G00009109	E08269	1	Inch screw
91	G07861006	E07940	4	Disc
92	G07838028	E03938	3	Hexagon screw (10 Stk.)
94	G07837016	E03901	2	Hexagon screw (5 Stk.)
95	G60026009	G60026009	1	Access protection
315	G60026016	G60026016	1	Wind cowl
340	G60080007	G60080007	1	Replacement engine AS 63 4T B&S
341	G07837091	G07837091	1	Hexagon screw
346	G07875018	E07950	1	Raised cross-head sheet metal screw (5 S
377	G00011118	G00011118	1	Spark plug wrench
402	G00550036	G00550036	1	Air filter outer
403	G00550037	G00550037	1	Air filter inside

# Handlebar and tie rod



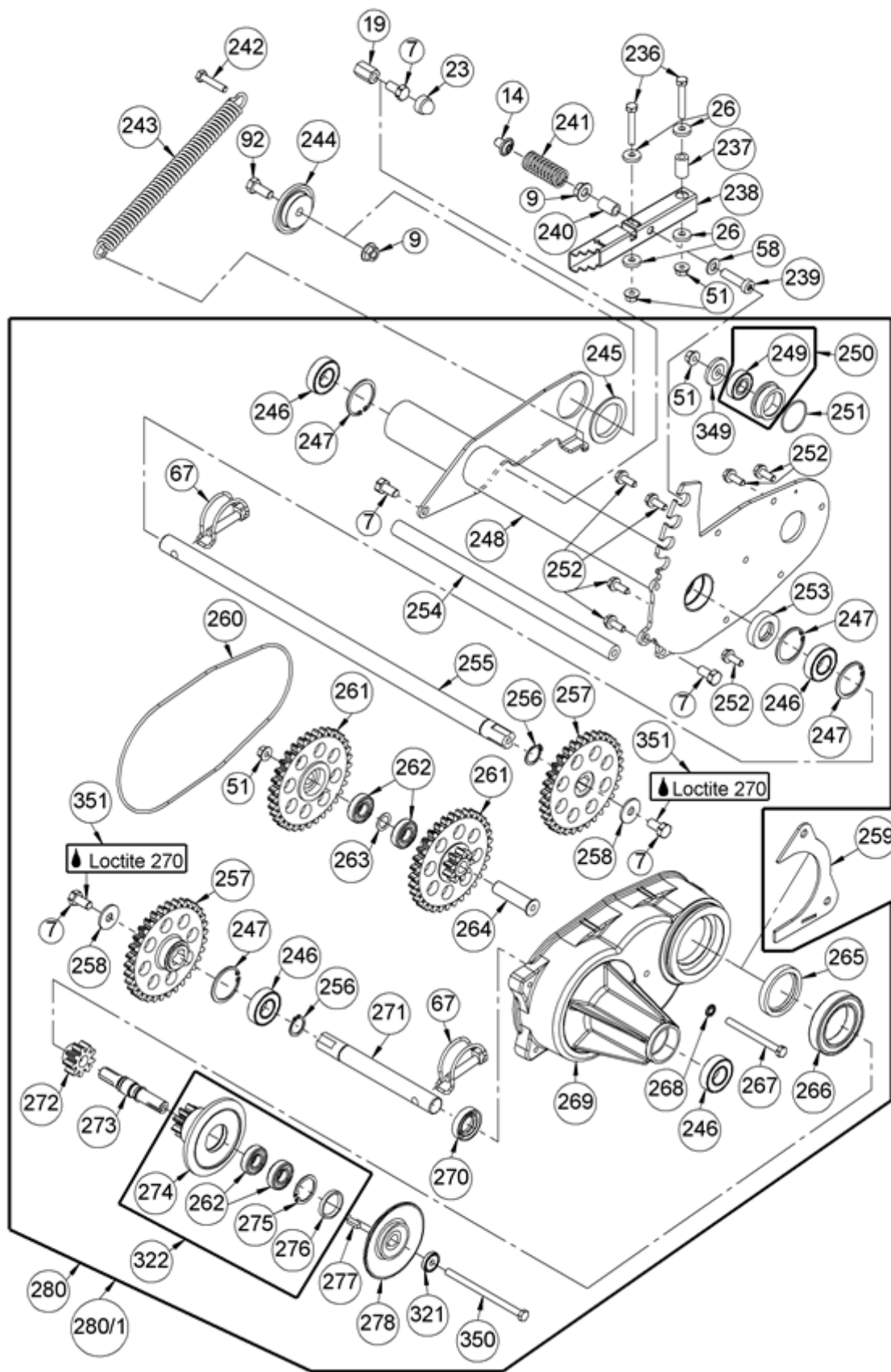
## Handlebar and tie rod

Item	Part-No.		Quantity	Description
9	G00007042	E06037	2	Selflocking nut with serrated bearing (3
23	G00029021	E10399	2	Sealing cap
33	G00024066	G00024066	1	Sleeve
37	G00007085	G00007085	1	Special nut
38	G07833050	G07833050	1	Hexagon socket head cap screw
47	G00029024	E10779	1	PVC cap
52	G00026006	E07956	1	Cable tape (4 Stk.)
116	G07837018	E03905	3	Hexagon screw (3 Stk.)
117	G00002028	E05647	1	Draw spring
135	G00020181	G00020181	1	Blade clutch cable
143	G00008196	E12387	1	Vibration damper
144	G00024061	E12370	1	Sleeve
146	G00009182	G00009182	1	Locking screw
147	G60022017	G60022017	2	Guide
148	G60022014	G60022014	1	Locking bolt
149	G07932002	E12500	1	Hex nut (10 Stk.)
150	G07838054	E05718	1	Hexagon screw (3 Stk.)
151	G00026031	E12218	2	Cable tape (5 Stk.)
152	G60020016	G60020016	2	Sleeve
153	G07918002	E07669	2	Self-locking hex nut (2 Stk.)
154	G00010134	E12460	1	Disc
155	G00019059	E10016	1	Slide washer (2 Stk.)
156	G60022031	G60022031	1	Handlebar
157	G00008202	G00008202	1	Handle
158	G07841007	G07841007	1	Hex nut
159	G60022033	G60022033	2	Screw
160	G60022037	G60022037	1	Stop bolt
161	G00008125	E10371	1	Rubber buffer (2 Stk.)
162	G00001069	E05810	1	Pressure spring (5 Stk.)
163	G06322233	E05808	1	Cap
164	G60022038	G60022038	1	Notch lever
165	G07880009	E07936	1	Disc (5 Stk.)
166	G07878017	E07937	1	Raised cross-head screw (5 Stk.)
167	G06122125	E06050	1	Hand lever
168	G07846008	E03829	2	Self-locking hex nut (10 Stk.)
169	G00020182	G00020182	1	Drive cable
170	G00008070	E04813	2	Handlebar grip (left + right = 2 grips)
171	G60022045	G60022045	1	Hand lever
172	G00020180	G00020180	1	Brake cable
173	G60022043	G60022043	1	Hand lever
174	G53122033	G53122033	1	Sleeve
175	G00001096	G00001096	1	Pressure spring
176	G53122034	G53122034	1	Stop bolt
177	G00010142	G00010142	1	Disc
178	G04322050	E05783	1	Adjusting disc
179	G00020179	G00020179	1	Vario cable
180	G04322055	E05784	1	Adjusting lever

## Handlebar and tie rod Page 2

Item	Part-No.		Quantity	Description
181	G07809010	E03592	1	Disc (10 Stk.)
182	G07856006	E03319	4	Disc spring (10 Stk.)
183	G60022032	G60022032	1	Sleeve
307	G00041019	E04719	1	LOCTITE 222 (50 ml)
345	G60022058	G60022058	1	Upper strut total

# Wheel gear



## Wheel gear

Item	Part-No.		Quantity	Description
7	G07838026	E03932	5	Hexagon screw (10 Stk.)
9	G00007042	E06037	2	Selflocking nut with serrated bearing (3
14	G00009174	E12496	1	Dome head screw with Torx (10 Stk.)
19	G00007061	E10018	1	Connection nut
23	G00029021	E10399	1	Sealing cap
26	G07902005	G07902005	4	Disc (10 Stk.)
51	G07937001	E12459	4	Hex nut (10 Stk.)
58	G07809004	E01905	1	Disc (20 Stk.)
67	G00027015	E07881	2	Tube linchpin
92	G07838028	E03938	1	Hexagon screw (10 Stk.)
236	G07837024	E04058	2	Hexagon screw (10 Stk.)
237	G00024034	G00024034	1	Spacer sleeve
238	G60022001	G60022001	1	Adjustment rod
239	G00009082	E06651	1	Inside Torx screw (2 Stk.)
240	G00024067	G00024067	1	Sleeve
241	G00001084	E08246	1	Pressure spring
242	G07838027	E03933	1	Hexagon screw (10 Stk.)
243	G00002077	G00002077	1	Draw spring
244	G60020018	G60020018	1	Bearing washer
245	G00028048	E10433	1	Friction bearing with collar
246	G07830033	E07637	4	Deep groove ball bearing
247	G07823011	E04330	4	Circlip for drilled hole (5 Stk.)
248	G60020001	G60020001	1	Wheel swinging arm total
249	G07830050	E12505	1	Deep groove ball bearing
250	G60030016	G60030016	1	Bearing sleeve with ball bearing
251	G00006063	G00006063	1	O-ring (10 Stk.)
252	G00009094	E07247	7	Locking screw (2 Stk.)
253	G07858024	G07858024	1	Shaft seal ring
254	G60020009	G60020009	1	Strut
255	G60030010	G60030010	1	Wheel shaft
256	G07822016	E08664	2	Circlip for shaft
257	G60030002	G60030002	2	Pinion 33 teeth
258	G07880006	E03957	2	Disc (20 Stk.)
259	G60020022	G60020022	1	Circlip
260	G00006064	G00006064	1	O-ring
261	G60030001	G60030001	2	Double gear
262	G07830013	E04331	4	Deep groove ball bearing
263	G07847042	E06722	1	Shim (5 Stk.)
264	G60030005	G60030005	1	Gear axis
265	G07858025	G07858025	1	Shaft seal ring
266	G07830053	G07830053	1	Deep groove ball bearing
267	G07837029	E04485	1	Hexagon screw (5 Stk.)
268	G00042006	E05862	1	Detent edge disc (5 Stk.)
269	G60030004	G60030004	1	Housing
270	G07858023	G07858023	1	Shaft seal ring
271	G60030008	G60030008	1	Wheel shaft
272	G60030007	G60030007	1	Pinion

Wheel gear Page 2

Item	Part-No.		Quantity	Description
273	G60025002	G60025002	1	Shaft
274	<del>G60030006</del>	<del>G60030006</del>	1	Replaced by G60030019
	G60030019	G60030019	1	Zahnrad 9z
275	G07823023	G07823023	1	Circlip for drilled hole
276	G00037012	G00037012	1	Shaft seal ring
277	G07865001	E01802	1	Feather key (4 Stk.)
278	G60025003	G60025003	1	Belt pulley half
280	G60030015	G60030015	1	Wheel gear total
280/1	G60050010	G60050010	1	Wheel gear (overhauled)
321	G60030017	G60030017	1	Disc
322	G60080005	G60080005	1	Gear wheel with ball bearing
349	G60030018	G60030018	1	Sealing disc
350	G07837097	G07837097	1	Hexagon screw
351	G00041008	E04721	1	LOCTITE 270 (50 ml)



